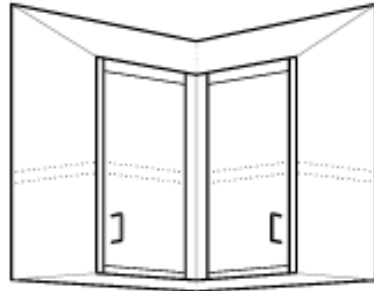


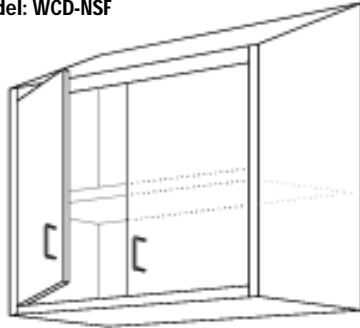


Wall Cabinet w/ Doors NSF

**DOUBLE PAN
DOORS**



Standard Cabinet
Model: WCD-NSF



Corner Cabinet
Model: WCCD-NSF

**Fully Welded
No Assembly
Required**



Certified
Custom Fabricators

MATERIAL

18g Stainless Steel, Type 304, #4 Finish

4" Bar Pull Handles

Stainless Steel Flag Hinge

16g Galvanized Hanger Channel

14g 304/4 Wall Clips

CONSTRUCTION

Built in compliance with NSF Standard No.2 and bear the NSF mark of approval.

Sloped design reduces dust build up.

Double pan removeable doors for easy cleaning.

Fully welded construction.

Fixed intermediate shelf.

Mounting Hardware Not Included

OPTIONS

- 16 Gauge Construction
- Locks
- Additional Intermediate Shelves
- Adjustable Shelf(s)
- Recessed Handles

CUSTOM SIZES AVAILABLE

Corner Cabinet

HEIGHT WIDTH		MODEL NUMBER
30	12	WCCD-NSF-12-30- <i>Specify Length</i>
36	12	WCCD-NSF-12-36- <i>Specify Length</i>
30	14	WCCD-NSF-14-30- <i>Specify Length</i>
36	14	WCCD-NSF-14-36- <i>Specify Length</i>

Standard Cabinet

HEIGHT WIDTH		MODEL NUMBER
30	12	WCD-NSF-12-30- <i>Specify Length</i>
36	12	WCD-NSF-12-36- <i>Specify Length</i>
30	14	WCD-NSF-14-30- <i>Specify Length</i>
36	14	WCD-NSF-14-36- <i>Specify Length</i>

Email: salesandinfo@chainfabricator.com

Phone: (916) 638-7370 or 1-888-300-6196 Fax: (916) 638-1172

2650 Mercantile Dr., Suite C - Rancho Cordova, CA 95742

WC-NSF-1

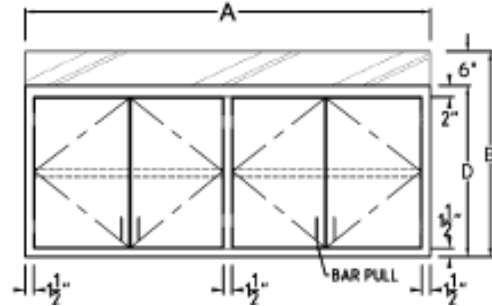
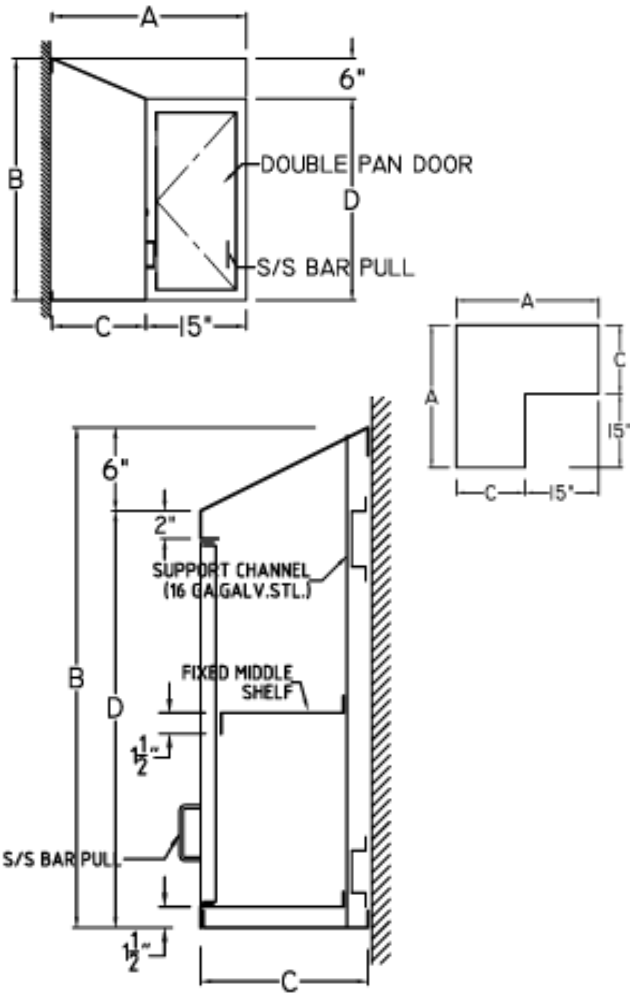


Wall Cabinet w/ Doors NSF

CORNER CABINET

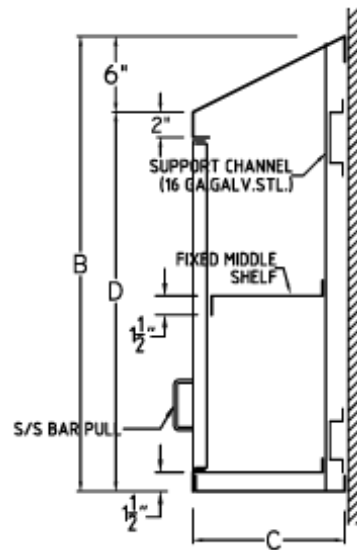
Model: WCCD-NSF- *Specify Length*

CUSTOM SIZES AVAILABLE



STANDARD CABINET

Model: WCD-NSF - *Specify Length*



Corner Cabinet

MODEL NUMBER	A	B	C	D
WCCD-NSF-12-30- <i>Specify Length</i>	<i>Length</i>	30	12	24
WCCD-NSF-12-36- <i>Specify Length</i>	<i>Length</i>	36	12	30
WCCD-NSF-14-30- <i>Specify Length</i>	<i>Length</i>	30	14	24
WCCD-NSF-14-36- <i>Specify Length</i>	<i>Length</i>	36	14	30

Standard Cabinet

MODEL NUMBER	A	B	C	D
WCD-NSF-12-30- <i>Specify Length</i>	<i>Length</i>	30	12	24
WCD-NSF-12-36- <i>Specify Length</i>	<i>Length</i>	36	12	30
WCD-NSF-14-30- <i>Specify Length</i>	<i>Length</i>	30	14	24
WCD-NSF-14-36- <i>Specify Length</i>	<i>Length</i>	36	14	30

Email: salesandinfo@chainfabricator.com

Phone: (916) 638-7370 or 1-888-300-6196 Fax: (916) 638-1172