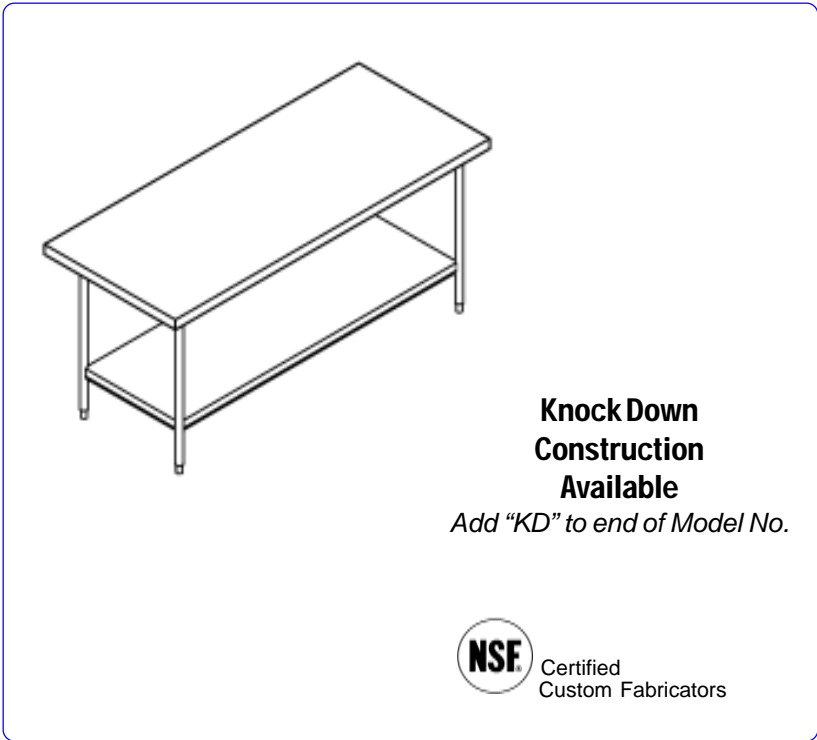




Worktable w/ Undershef (No Splash)



MATERIAL

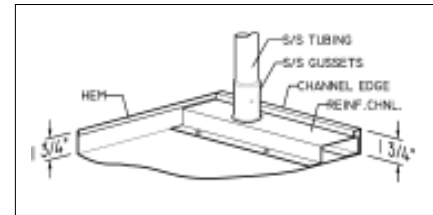
Top: 14g. or 16g. Stainless Steel, Type 304, #4 Finish
 Hat Channel: 16g Galvanized
Undershef: 16g. or 18g. Stainless Steel, Type 304/4
Legs: 1-5/8" O.D. SS 304/4 Tubular Legs, .065 Wall
Stainless Steel Gussets & Adjustable Bullet Feet

CONSTRUCTION

Built in compliance with NSF Standard No.2 and bear the NSF mark of approval.
 Top reinforced with welded hat channel.
 Sound deadened between top and channel.
 6" Backsplash designed to maintain a truly straight backsplash (TSB & TSBC Models.)
 1-3/4" **Hemmed** turndown where there is no splash.
 Tables 75" and longer come with six legs or more.

OPTIONS

- Bullet Feet w/ Pre Drilled Holes
- Flanged Feet with and without Pre Drilled Holes
- Casters with & without brake
- Additional Undershelves
- Cross Bracing
- Overshelves
- Drawer(s)
- Sink(s)
- Receptacle(s)
- End Splashes
- Marine Edge
- Hipped Edge
- Bullnose Edge
- Round Edge



CUSTOM SIZES AVAILABLE

| 24" WIDE | | | | | 30" WIDE | | | | | 36" WIDE | | | | | |
|---------------|--------------|----------|---------------|----------|---------------|--------------|----------|---------------|----------|---------------|--------------|----------|---------------|----------|-----------|
| 14g. Top | | | 16g. Top | | 14g. Top | | | 16g. Top | | 14g. Top | | | 16g. Top | | |
| 16g Undershef | | | 18g Undershef | | 16g Undershef | | | 18g Undershef | | 16g Undershef | | | 18g Undershef | | |
| O.A. Dim. | Model Number | Ship Wt. | Model Number | Ship Wt. | O.A. Dim. | Model Number | Ship Wt. | Model Number | Ship Wt. | O.A. Dim. | Model Number | Ship Wt. | Model Number | Ship Wt. | Cubic Ft. |
| 36x24 | 36TS24-14 | | 36TS24 | | 36x30 | 36TS30-14 | | 36TS30 | | 36x36 | 36TS36-14 | | 36TS36 | | |
| 48x24 | 48TS24-14 | | 48TS24 | | 48x30 | 48TS30-14 | | 48TS30 | | 48x36 | 48TS36-14 | | 48TS36 | | |
| 60x24 | 60TS24-14 | | 60TS24 | | 60x30 | 60TS30-14 | | 60TS30 | | 60x36 | 60TS36-14 | | 60TS36 | | |
| 72x24 | 72TS24-14 | | 72TS24 | | 72x30 | 72TS30-14 | | 72TS30 | | 72x36 | 72TS36-14 | | 72TS36 | | |
| 84x24 | 84TS24-14 | | 84TS24 | | 84x30 | 84TS30-14 | | 84TS30 | | 84x36 | 84TS36-14 | | 84TS36 | | |
| 96x24 | 96TS24-14 | | 96TS24 | | 96x30 | 96TS30-14 | | 96TS30 | | 96x36 | 96TS36-14 | | 96TS36 | | |
| 108x24 | 108TS24-14 | | 108TS24 | | 108x30 | 108TS30-14 | | 108TS30 | | 108x36 | 108TS36-14 | | 108TS36 | | |
| 120x24 | 120TS24-14 | | 120TS24 | | 120x30 | 120TS30-14 | | 120TS30 | | 120x36 | 120TS36-14 | | 120TS36 | | |
| 132x24 | 132TS24-14 | | 132TS24 | | 132x30 | 132TS30-14 | | 132TS30 | | 132x36 | 132TS36-14 | | 132TS36 | | |
| 144x24 | 144TS24-14 | | 144TS24 | | 144x30 | 144TS30-14 | | 144TS30 | | 144x36 | 144TS36-14 | | 144TS36 | | |

Email: salesandinfo@chainfabricator.com

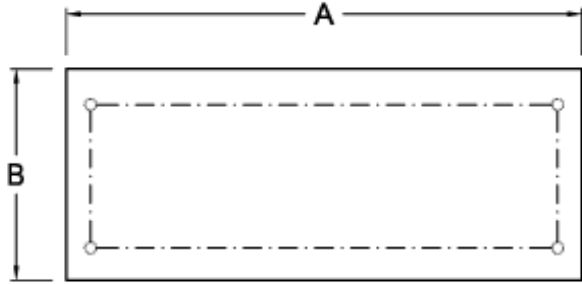
Phone: (916) 638-7370 or 1-888-300-6196 Fax: (916) 638-1172

2650 Mercantile Dr., Suite C - Rancho Cordova, CA 95742

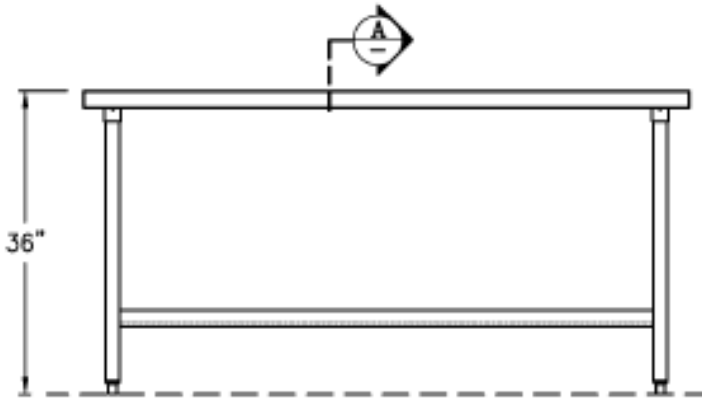
TS & TSB-1



Worktable w/ Undershaft (No Splash)

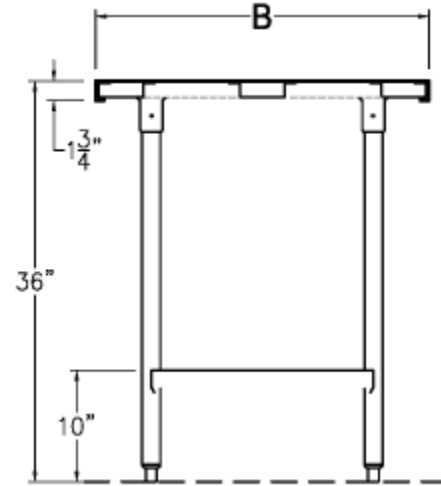


PLAN



ELEVATION

CUSTOM SIZES AVAILABLE



SECTION



| 24" WIDE | | | | 30" WIDE | | | | 36" WIDE | | | |
|-----------|-----------|-----------------------|-----------------------|-----------|-----------|-----------------------|-----------------------|-----------|-----------|-----------------------|-----------------------|
| O.A. Dim. | O.A. Dim. | 14g. Top 16g Shelf | 16g. Top 18g Shelf | O.A. Dim. | O.A. Dim. | 14g. Top 16g Shelf | 16g. Top 18g Shelf | O.A. Dim. | O.A. Dim. | 14g. Top 16g Shelf | 16g. Top 18g Shelf |
| A | B | Model Number | Model Number | A | B | Model Number | Model Number | A | B | Model Number | Model Number |
| 36 | 24 | 36TS24-14 | 36TS24 | 36 | 30 | 36TS30-14 | 36TS30 | 36 | 36 | 36TS36-14 | 36TS36 |
| 48 | 24 | 48TS24-14 | 48TS24 | 48 | 30 | 48TS30-14 | 48TS30 | 48 | 36 | 48TS36-14 | 48TS36 |
| 60 | 24 | 60TS24-14 | 60TS24 | 60 | 30 | 60TS30-14 | 60TS30 | 60 | 36 | 60TS36-14 | 60TS36 |
| 72 | 24 | 72TS24-14 | 72TS24 | 72 | 30 | 72TS30-14 | 72TS30 | 72 | 36 | 72TS36-14 | 72TS36 |
| 84 | 24 | 84TS24-14 | 84TS24 | 84 | 30 | 84TS30-14 | 84TS30 | 84 | 36 | 84TS36-14 | 84TS36 |
| 96 | 24 | 96TS24-14 | 96TS24 | 96 | 30 | 96TS30-14 | 96TS30 | 96 | 36 | 96TS36-14 | 96TS36 |
| 108 | 24 | 108TS24-14 | 108TS24 | 108 | 30 | 108TS30-14 | 108TS30 | 108 | 36 | 108TS36-14 | 108TS36 |
| 120 | 24 | 120TS24-14 | 120TS24 | 120 | 30 | 120TS30-14 | 120TS30 | 120 | 36 | 120TS36-14 | 120TS36 |
| 132 | 24 | 132TS24-14 | 132TS24 | 132 | 30 | 132TS30-14 | 132TS30 | 132 | 36 | 132TS36-14 | 132TS36 |
| 144 | 24 | 144TS24-14 | 144TS24 | 144 | 30 | 144TS30-14 | 144TS30 | 144 | 36 | 144TS36-14 | 144TS36 |

Email: salesandinfo@chainfabricator.com

Phone: (916) 638-7370 or 1-888-300-6196 Fax: (916) 638-1172