



Worktable w/ Crossbracing (No Splash)

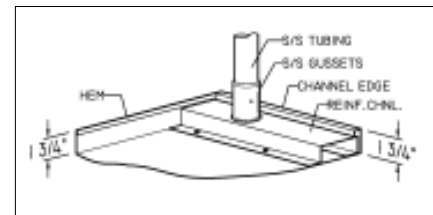


MATERIAL

Top: 14g. or 16g. Stainless Steel, Type 304, #4 Finish
 Hat Channel: 16g Galvanized
Crossbracing: 1-5/8" O.D. SS 304/4 Tubing, .065 Wall
Legs: 1-5/8" O.D. SS 304/4 Tubular Legs, .065 Wall
Stainless Steel Gussets & Adjustable Bullet Feet

CONSTRUCTION

Built in compliance with NSF Standard No.2 and bear the NSF mark of approval.
 Top reinforced with welded hat channel.
 Sound deadened between top and channel.
 6" Backsplash designed to maintain a truly straight backsplash (TSB & TSBC Models.)
 1-3/4" **Hemmed** turndown where there is no splash.
 Tables 75" and longer come with six legs or more.



OPTIONS

- Bullet Feet w/ Pre Drilled Holes
- Overshelves
- Marine Edge
- Flanged Feet with and without Pre Drilled Holes
- Drawer(s)
- Hipped Edge
- Casters with & without brake
- Sink(s)
- Bullnose Edge
- Undershelves
- Receptacle(s)
- Round Edge
- End Splashes

CUSTOM SIZES AVAILABLE

24" WIDE			30" WIDE			36" WIDE		
14g. Top		16g. Top	14g. Top		16g. Top	14g. Top		16g. Top
O.A. Dim.	Model Number	Model Number	O.A. Dim.	Model Number	Model Number	O.A. Dim.	Model Number	Model Number
36x24	36TSC24-14	36TSC24	36x30	36TSC30-14	36 TSC 30	36x36	36TSC36-14	36TSC36
48x24	48TSC24-14	48TSC24	48x30	48TSC30-14	48 TSC 30	48x36	48TSC36-14	48TSC36
60x24	60TSC24-14	60TSC24	60x30	60TSC30-14	60 TSC 30	60x36	60TSC36-14	60TSC36
72x24	72TSC24-14	72TSC24	72x30	72TSC30-14	72 TSC 30	72x36	72TSC36-14	72TSC36
84x24	84TSC24-14	84TSC24	84x30	84TSC30-14	84 TSC 30	84x36	84TSC36-14	84TSC36
96x24	96TSC24-14	96TSC24	96x30	96TSC30-14	96 TSC 30	96x36	96TSC36-14	96TSC36
108x24	108TSC24-14	108TSC24	108x30	108TSC30-14	108 TSC 30	108x36	108TSC36-14	108TSC36
120x24	120TSC24-14	120TSC24	120x30	120TSC30-14	120 TSC 30	120x36	120TSC36-14	120TSC36
132x24	132TSC24-14	132TSC24	132x30	132TSC30-14	132 TSC 30	132x36	132TSC36-14	132TSC36
144x24	144TSC24-14	144TSC24	144x30	144TSC30-14	144 TSC 30	144x36	144TSC36-14	144TSC36

Note: Worktables greater than 72" in length are fabricated with 6 legs. All other tables are fabricated with 4 legs.

Email: salesandinfo@chainfabricator.com

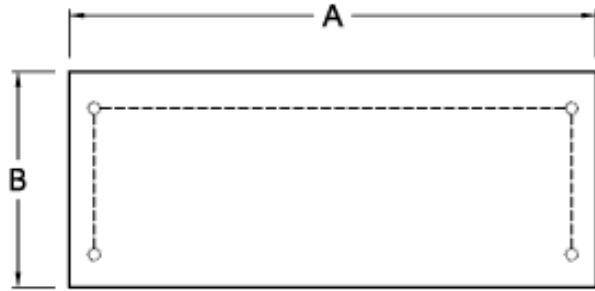
Phone: (916) 638-7370 or 1-888-300-6196 Fax: (916) 638-1172

2650 Mercantile Dr., Suite C - Rancho Cordova, CA 95742

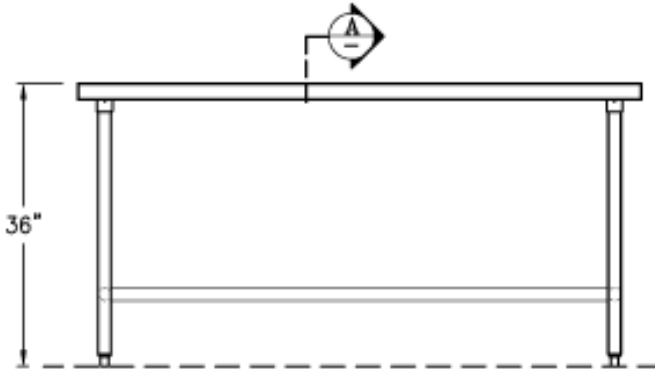
TSC & TSBC-1



Worktable w/ Crossbracing (No Splash)

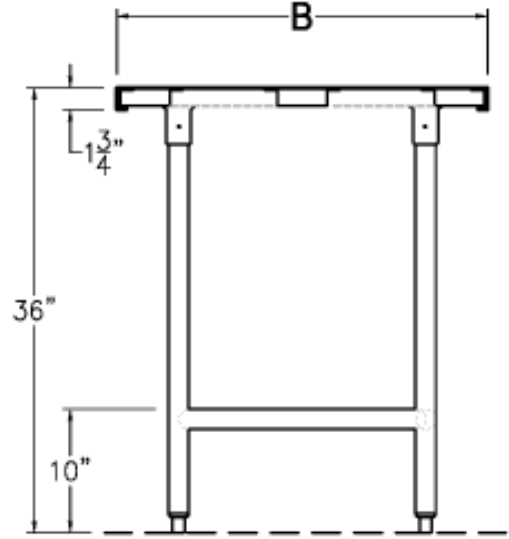


PLAN



ELEVATION

CUSTOM SIZES AVAILABLE



SECTION



24" WIDE				30" WIDE				36" WIDE			
		14g. Top	16g. Top			14g. Top	16g. Top			14g. Top	16g. Top
O.A. Dim.	O.A. Dim.	Model Number	Model Number	O.A. Dim.	O.A. Dim.	Model Number	Model Number	O.A. Dim.	O.A. Dim.	Model Number	Model Number
A	B			A	B			A	B		
36	24	36TSC24-14	36TSC24	36	30	36TSC30-14	36 TSC 30	36	36	36TSC36-14	36TSC36
48	24	48TSC24-14	48TSC24	48	30	48TSC30-14	48 TSC 30	48	36	48TSC36-14	48TSC36
60	24	60TSC24-14	60TSC24	60	30	60TSC30-14	60 TSC 30	60	36	60TSC36-14	60TSC36
72	24	72TSC24-14	72TSC24	72	30	72TSC30-14	72 TSC 30	72	36	72TSC36-14	72TSC36
84	24	84TSC24-14	84TSC24	84	30	84TSC30-14	84 TSC 30	84	36	84TSC36-14	84TSC36
96	24	96TSC24-14	96TSC24	96	30	96TSC30-14	96 TSC 30	96	36	96TSC36-14	96TSC36
108	24	108TSC24-14	108TSC24	108	30	108TSC30-14	108 TSC 30	108	36	108TSC36-14	108TSC36
120	24	120TSC24-14	120TSC24	120	30	120TSC30-14	120 TSC 30	120	36	120TSC36-14	120TSC36
132	24	132TSC24-14	132TSC24	132	30	132TSC30-14	132 TSC 30	132	36	132TSC36-14	132TSC36
144	24	144TSC24-14	144TSC24	144	30	144TSC30-14	144 TSC 30	144	36	144TSC36-14	144TSC36

Note: Worktables greater than 72" in length are fabricated with 6 legs. All other tables are fabricated with 4 legs.

Email: salesandinfo@chainfabricator.com

Phone: (916) 638-7370 or 1-888-300-6196 Fax: (916) 638-1172