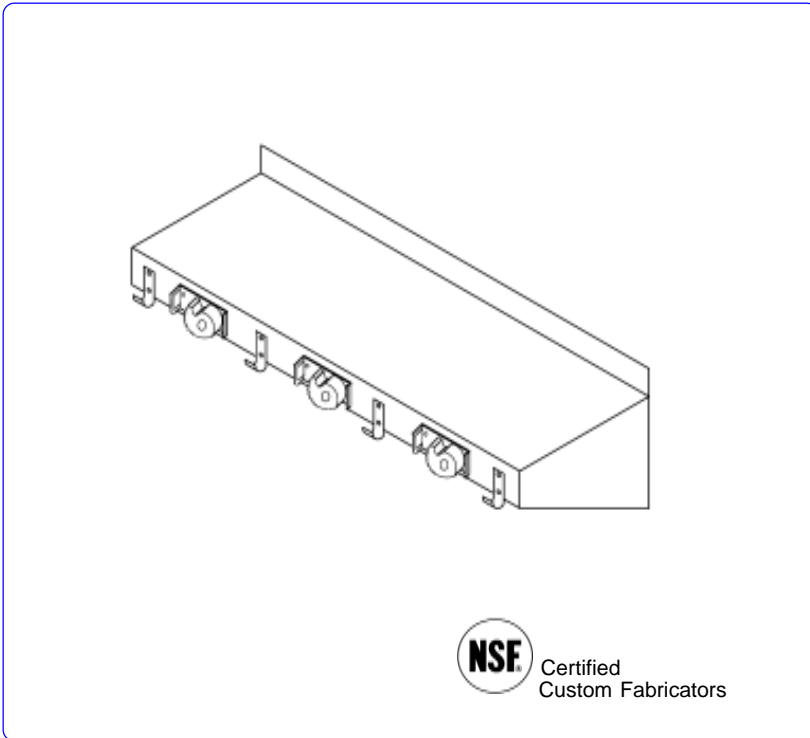




**Utility Shelf w/ Tool Holders**



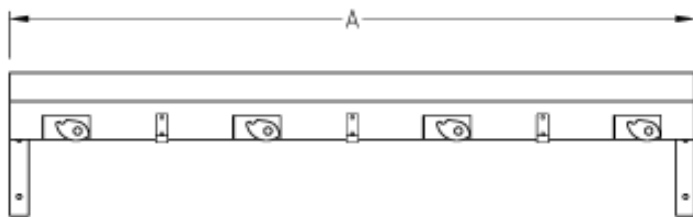
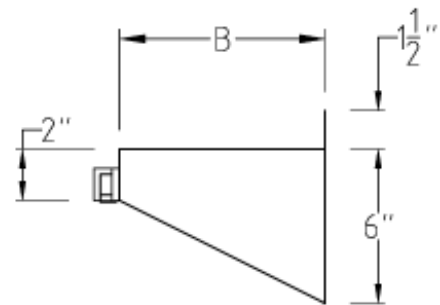
**MATERIAL**

16g Stainless Steel, Type 304, #4 Finish

Tool Holder: Black Rubber, Galvanized Steel Base

**Construction**

Tool holders and hangers are fastened to front of shelf.



***CUSTOM SIZES AVAILABLE***

**8" WIDE**

A Length	B Width	Model Number	Ship Wt.	Cubic Ft.
24	8	24US8-3		
36	8	36US8-3		
48	8	48US8-4		

**12" WIDE**

A Length	B Width	Model Number	Ship Wt.	Cubic Ft.
24	12	24US12-3		
36	12	36US12-3		
48	12	48US12-4		

Email: [salesandinfo@chainfabricator.com](mailto:salesandinfo@chainfabricator.com)

Phone: (916) 638-7370 or 1-888-300-6196 Fax: (916) 638-1172



**STAINLESS INTERNATIONAL**  
*Foodservice Specialists*

Item No. \_\_\_\_\_

Model No. \_\_\_\_\_ Qty. \_\_\_\_\_

**Utility Shelf w/ Tool Holders**

*This page intentionally left blank.*

---

Email: [salesandinfo@chainfabricator.com](mailto:salesandinfo@chainfabricator.com)

Phone: (916) 638-7370 or 1-888-300-6196 Fax: (916) 638-1172