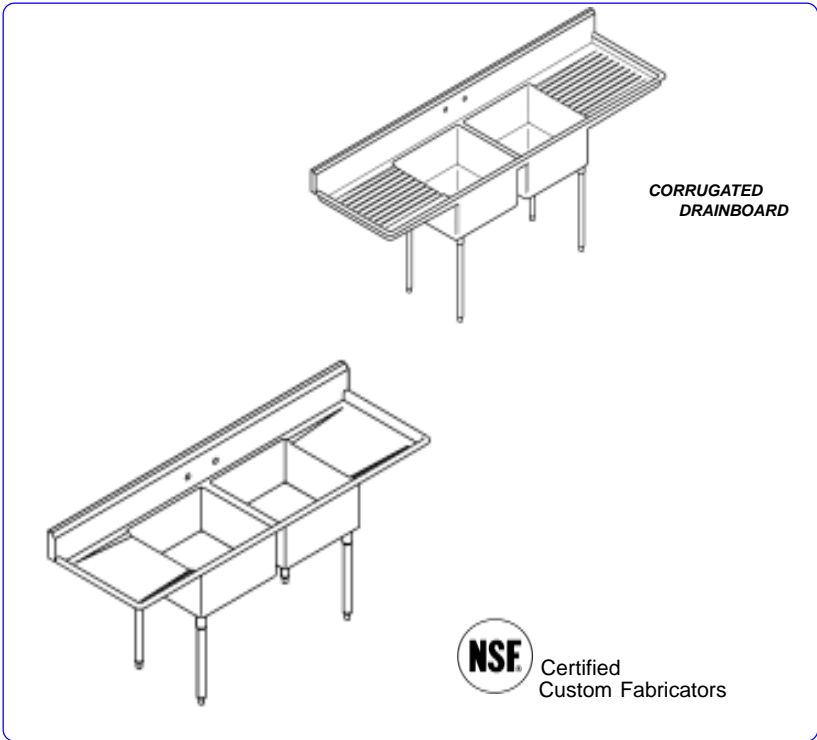




Two Compartment - Two Drainboards



MATERIAL

14g. or 16g. Stainless Steel, Type 304, #4 Finish
 1-5/8" O.D. SS 304/4 Tubular Legs, .065 Wall
 Stainless Steel Gussets, and Adjustable Bullet Feet

CONSTRUCTION

Built in compliance with NSF Standard No.2 and bear the NSF mark of approval.

Sinks are formed fabrication (NOT DEEP DRAWN) maintaining 14g & 16g thickness throughout the bowl. We use stamping dies that draw bottom of bowls down eliminating build up of water around drain.

Standard drainboards are embossed for better drainage and appearance.

CORRUGATED drainboards allow air and water to flow under all washable items reducing bacterial and odor and eliminating suction and cross-contamination.

8" Backsplashes designed to maintain truly straight backsplashes for easier installation.

12" Deep Standard Sinks Bowls

3-1/2" SS Basket Drain & Strainer Included

OPTIONS

- Deeper Bowls
- Higher Backsplash
- 16g or 18g Full/Partial Undershelf
- Stainless Steel Cross Bracing
- Front Apron
- Flanged Feet w/ Holes & Without
- Bullet Feet w/ Pre Drilled Holes
- Faucets and Twist Handle Drains
- Lever Brackets

CUSTOM SIZES AVAILABLE

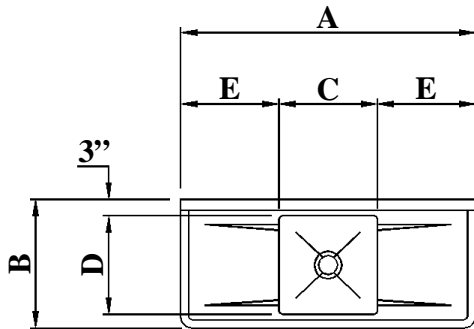
12" DEEP BOWLS			14 Gauge	14 Gauge	16 Gauge	16 Gauge	
			14g 304/4 SS	Corrugated DB	Corrugated DB	16g 304/4 SS	16 Gauge
BOWL SIZE	O.A. LENGTH (Inches)	DRBD SIZE (Inches)	Model Number	Model Number	Model Number	Model Number	Faucet Holes
18 x 18	23.5 x 74	18	2T1818-2D18-14	2T1818-2C18-14	2T1818-2C18	2T1818-2D18	One Set
18 x 18	23.5 x 86	24	2T1818-2D24-14	2T1818-2C24-14	2T1818-2C24	2T1818-2D24	One Set
18 x 24	29.5 x 74	18	2T1824-2D18-14	2T1824-2C18-14	2T1824-2C18	2T1824-2D18	One Set
18 x 24	29.5 x 86	24	2T1824-2D24-14	2T1824-2C24-14	2T1824-2C24	2T1824-2D24	One Set
24 x 24	29.5 x 98	24	2T2424-2D24-14	2T2424-2C24-14	2T2424-2C24	2T2424-2D24	One Set

Email: salesandinfo@chainfabricator.com

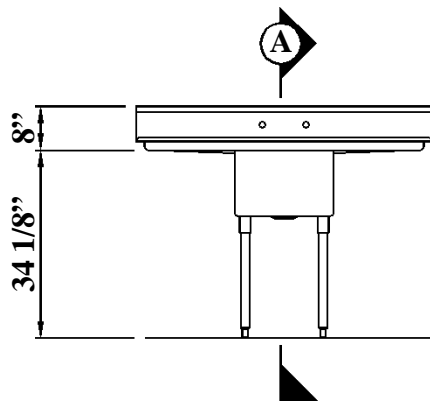


Two Compartment - Two Drainboards

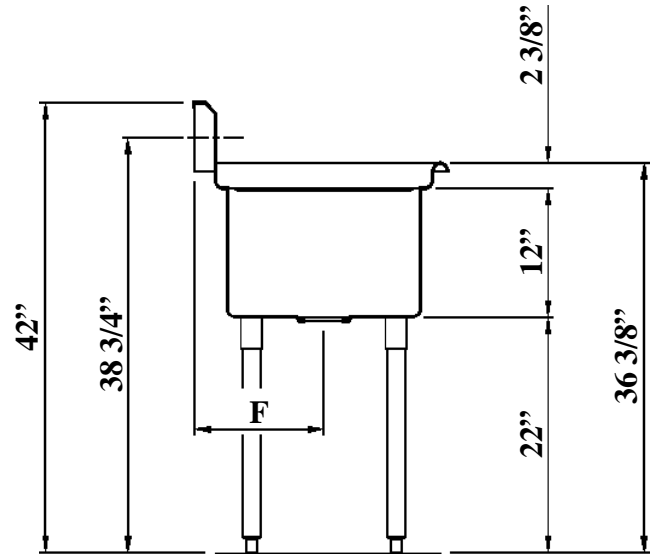
CUSTOM SIZES AVAILABLE



PLAN



ELEVATION



SECTION



12" DEEP BOWLS

UNIT Length	UNIT Width	BOWL Length	BOWL Width	DRAIN-BOARD	F	14 Gauge		16 Gauge		Cu. Ft.
						14g 304/4 SS	14g 304/4 SS	16g 304/4 SS	16g 304/4 SS	
A	B	C	D	E		Model Number	Model Number	Model Number	Model Number	Wt.
74	23.5	18	18	18	12	2T1818-2D18-14	2T1818-2C18-14	2T1818-2C18	2T1818-2D18	93
86	23.5	18	18	24	12	2T1818-2D24-14	2T1818-2C24-14	2T1818-2C24	2T1818-2D24	101
74	29.5	18	24	18	15	2T1824-2D18-14	2T1824-2C18-14	2T1824-2C18	2T1824-2D18	106
86	29.5	18	24	24	15	2T1824-2D24-14	2T1824-2C24-14	2T1824-2C24	2T1824-2D24	116
98	29.5	24	24	24	15	2T2424-2D24-14	2T2424-2C24-14	2T2424-2C24	2T2424-2D24	133

Email: salesandinfo@chainfabricator.com

Phone: (916) 638-7370 or 1-888-300-6196 Fax: (916) 638-1172