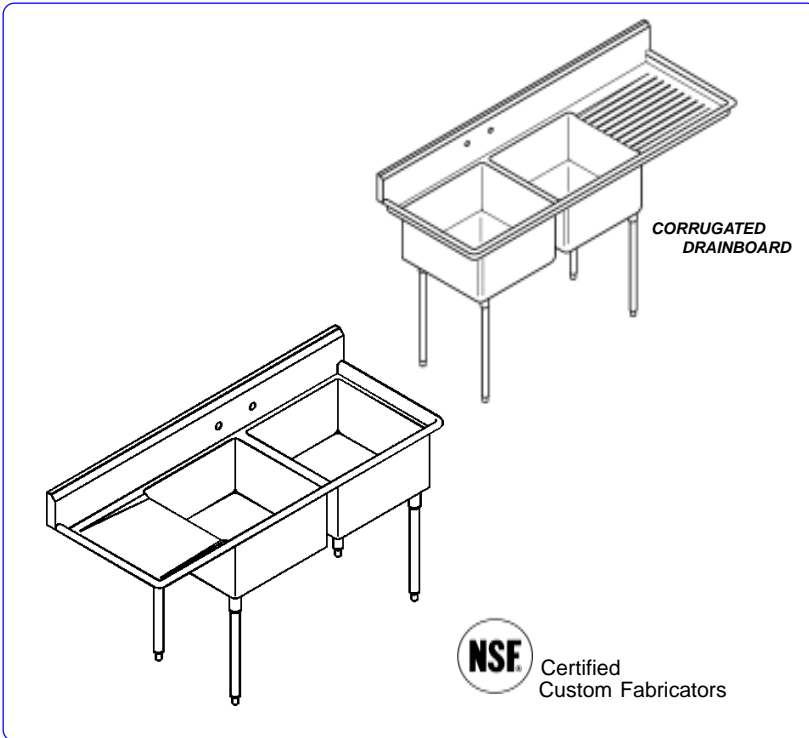




Two Compartment - One Drainboard

(Specify Drainboard Location)



MATERIAL

14g. or 16g. Stainless Steel, Type 304, #4 Finish
 1-5/8" O.D. SS 304/4 Tubular Legs, .065 Wall
 Stainless Steel Gussets, and Adjustable Bullet Feet

CONSTRUCTION

Built in compliance with NSF Standard No.2 and bear the NSF mark of approval.

Sinks are formed fabrication (NOT DEEP DRAWN) maintaining 14g & 16g thickness throughout the bowl. We use stamping dies that draw bottom of bowls down eliminating build up of water around drain.

Standard drainboards are embossed for better drainage and appearance.

CORRUGATED drainboards allow air and water to flow under all washable items reducing bacterial and odor and eliminating suction and cross-contamination.

8" Backsplashes designed to maintain truly straight backsplashes for easier installation.

12" Deep Standard Sinks Bowls

3-1/2" SS Basket Drain & Strainer Included

OPTIONS

- Deeper Bowls
- Higher Backsplash
- 16g or 18g Full/Partial Undershelf
- Stainless Steel Cross Bracing
- Front Apron
- Flanged Feet w/ Holes & Without
- Bullet Feet w/ Pre Drilled Holes
- Faucets and Twist Handle Drains
- Lever Brackets

CUSTOM SIZES AVAILABLE

Replace " * " with "L" for Left Drainboard and "R" for Right Drainboard

12" DEEP BOWLS			14 Gauge 14g 304/4 SS	14 Gauge Corrugated DB 14g 304/4 SS	16 Gauge Corrugated DB 16g 304/4 SS	16 Gauge 16g 304/4 SS	Faucet Holes
BOWL SIZE	O.A. LENGTH (Inches)	DRBD SIZE (Inches)	Model Number	Model Number	Model Number	Model Number	
18 x 18	23.5 x 58.5	18	2T1818-*D18-14	2T1818-*C18-14	2T1818-*C18	2T1818-*D18	One Set
18 x 18	23.5 x 64.5	24	2T1818-*D24-14	2T1818-*C24-14	2T1818-*C24	2T1818-*D24	One Set
18 x 24	29.5 x 58.5	18	2T1824-*D18-14	2T1824-*C18-14	2T1824-*C18	2T1824-*D18	One Set
18 x 24	29.5 x 64.5	24	2T1824-*D24-14	2T1824-*C24-14	2T1824-*C24	2T1824-*D24	One Set
24 x 24	29.5 x 76.5	24	2T2424-*D24-14	2T2424-*C24-14	2T2424-*C24	2T2424-*D24	One Set

Email: salesandinfo@chainfabricator.com

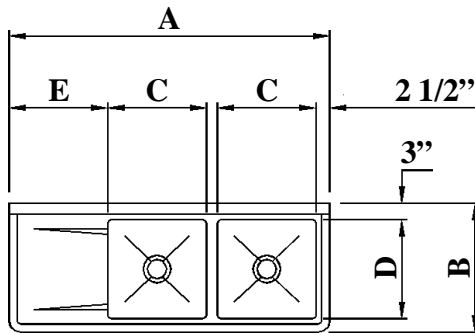
Phone: (916) 638-7370 or 1-888-300-6196 Fax: (916) 638-1172

2650 Mercantile Dr., Suite C - Rancho Cordova, CA 95742

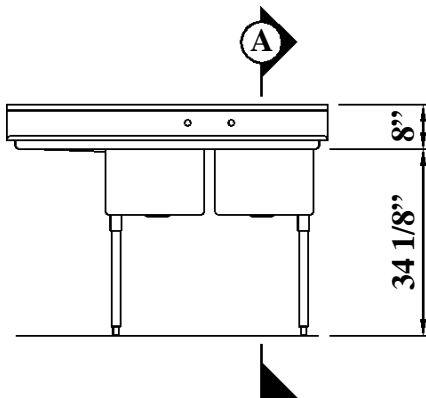


Two Compartment - One Drainboard

(Specify Drainboard Location)

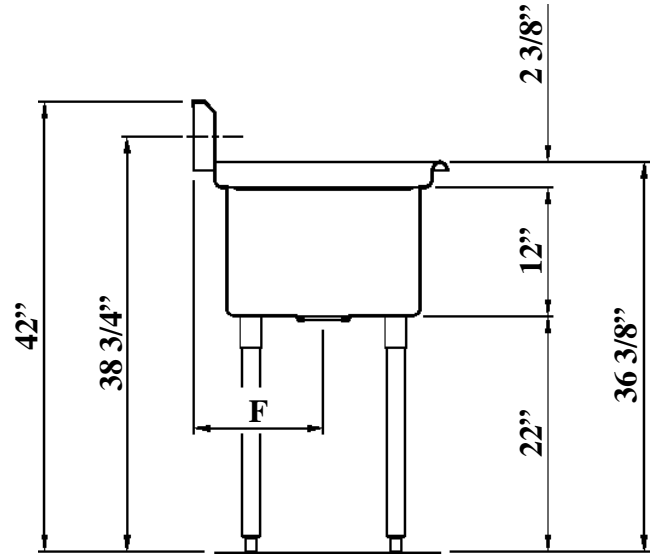


PLAN



ELEVATION

CUSTOM SIZES AVAILABLE



SECTION



Replace " " with "L" for Left Drainboard and "R" for Right Drainboard

12" DEEP BOWLS						14 Gauge 14g 304/4 SS	14 Gauge Corrugated DB 14g 304/4 SS	16 Gauge Corrugated DB 16g 304/4 SS	16 Gauge 16g 304/4 SS		
UNIT Length	UNIT Width	BOWL Length	BOWL Width	DRAIN- BOARD		Model Number	Model Number	Model Number	Model Number	Wt.	Cu. Ft.
A	B	C	D	E	F						
58.5	23.5	18	18	18	12	2T1818-*D18-14	2T1818-*C18-14	2T1818-*C18	2T1818-*D18	85	
64.5	23.5	18	18	24	12	2T1818-*D24-14	2T1818-*C24-14	2T1818-*C24	2T1818-*D24	89	
58.5	29.5	18	24	18	15	2T1824-*D18-14	2T1824-*C18-14	2T1824-*C18	2T1824-*D18	96	
64.5	29.5	18	24	24	15	2T1824-*D24-14	2T1824-*C24-14	2T1824-*C24	2T1824-*D24	101	
76.5	29.5	24	24	24	15	2T2424-*D24-14	2T2424-*C24-14	2T2424-*C24	2T2424-*D24	119	

Email: salesandinfo@chainfabricator.com

Phone: (916) 638-7370 or 1-888-300-6196 Fax: (916) 638-1172