



Two Compartment - No Drainboard



MATERIAL

14g. or 16g. Stainless Steel, Type 304, #4 Finish

1-5/8" O.D. SS 304/4 Tubular Legs, .065 Wall

Stainless Steel Gussets, and Adjustable Bullet Feet

CONSTRUCTION

Built in compliance with NSF Standard No.2 and bear the NSF mark of approval.

Sinks are formed fabrication (NOT DEEP DRAWN) maintaining 14g & 16g thickness throughout the bowl. We use stamping dies that draw bottom of bowls down eliminating build up of water around drain.

Standard drainboards are embossed for better drainage and appearance.

CORRUGATED drainboards allow air and water to flow under all washable items reducing bacterial and odor and eliminating suction and cross-contamination.

8" Backsplashes designed to maintain truly straight backsplashes for easier installation.

12" Deep Standard Sinks Bowls

3-1/2" SS Basket Drain & Strainer Included

OPTIONS

- Deeper Bowls
- Higher Backsplash
- 16g or 18g Full/Partial Undershelf
- Stainless Steel Cross Bracing
- Front Apron
- Flanged Feet w/ Holes & Without
- Bullet Feet w/ Pre Drilled Holes
- Faucets and Twist Handle Drains
- Lever Brackets

CUSTOM SIZES AVAILABLE

12" DEEP BOWLS		14 Gauge 14g 304/4 SS	16 Gauge 16g 304/4 SS	Faucet Holes
BOWL SIZE	O.A. LENGTH (Inches)	Model Number	Model Number	
18 x 18	23.5 x 43	2T1818-14	2T1818	One Set
18 x 24	29.5 x 43	2T1824-14	2T1824	One Set
24 x 24	29.5 x 55	2T2424-14	2T2424	One Set

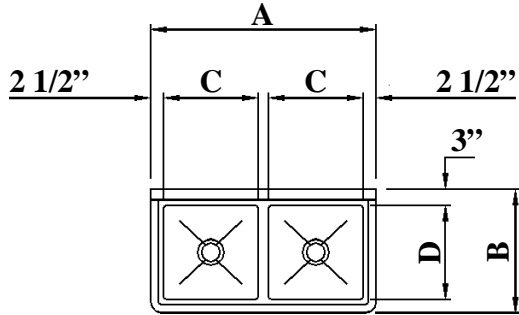
Email: salesandinfo@chainfabricator.com

Phone: (916) 638-7370 or 1-888-300-6196 Fax: (916) 638-1172

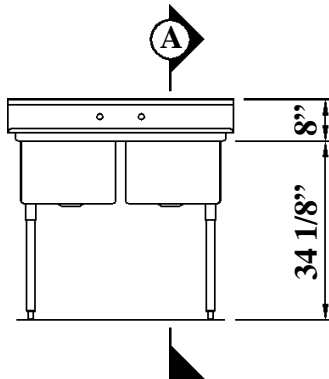
2650 Mercantile Dr., Suite C - Rancho Cordova, CA 95742



Two Compartment - No Drainboard

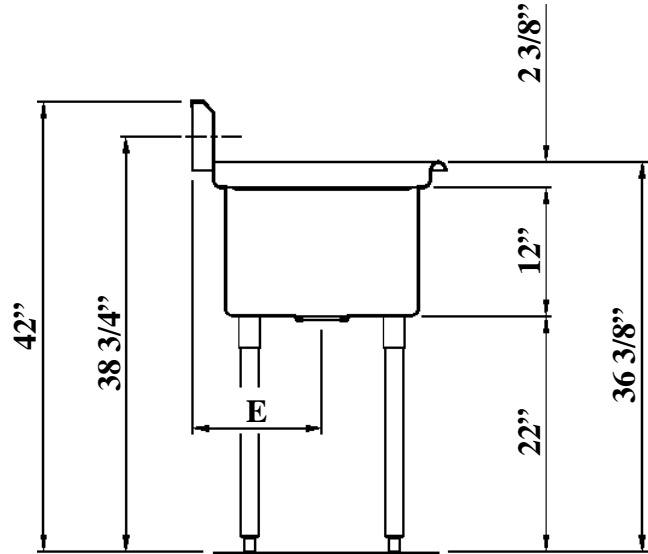


PLAN



ELEVATION

CUSTOM SIZES AVAILABLE



SECTION



12" DEEP BOWLS

UNIT Length	UNIT Width	BOWL Length	BOWL Width
A	B	C	D
43	23.5	18	18
43	29.5	18	24
55	29.5	24	24

**14 Gauge
14g 304/4 SS**

Model Number	Wt.
2T1818-14	48
2T1824-14	55
2T2424-14	64

**16 Gauge
16g 304/4 SS**

Model Number	Wt.	Cu. Ft.
2T1818	48	
2T1824	55	
2T2424	64	

Email: salesandinfo@chainfabricator.com

Phone: (916) 638-7370 or 1-888-300-6196 Fax: (916) 638-1172