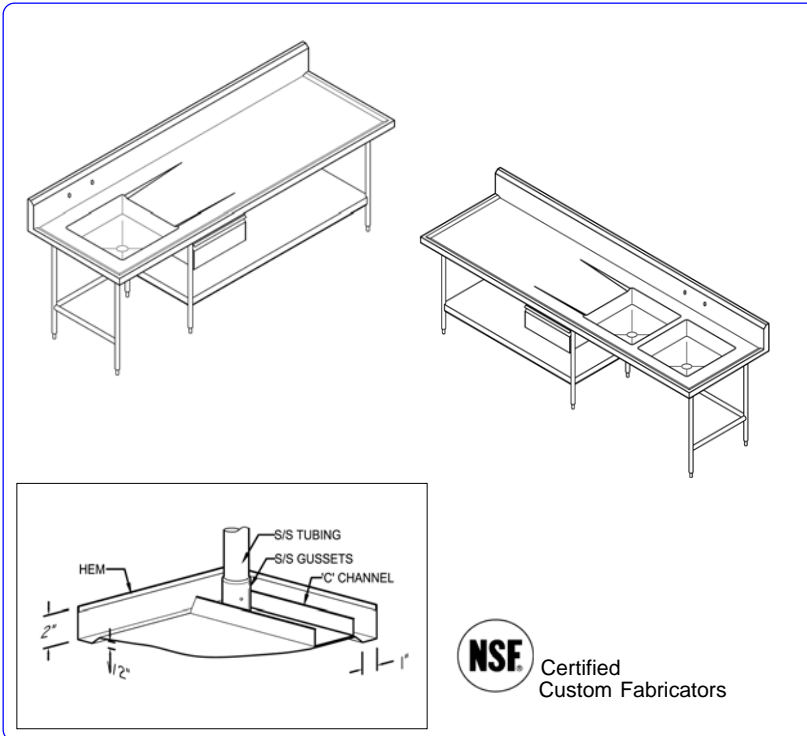




Prep Table w/ Splash, Undershelf, Drawer & Sgl/Dbi Sink



MATERIAL

Top: 14g. or 16g. Stainless Steel, Type 304, #4 Finish
 Hat Channel: 16g Galvanized
 15" x 20" x 5" Drawer with Plastic Insert
Crossbracing: 1-5/8" O.D. SS 304/4 Tubing, .065 Wall
Legs: 1-5/8" O.D. SS 304/4 Tubular Legs, .065 Wall
Stainless Steel Gussets & Adjustable Bullet Feet

CONSTRUCTION

Built in compliance with NSF Standard No.2 and bear the NSF mark of approval.

Top reinforced with welded hat channel.

8" Backsplash designed to maintain a truly straight backsplash.

Marine Edge where there is no splash.

Embossed drainboard near sink for drainage.

Single/Double Sinks form fabriacted (NOT DEEP DRAWN) maintains 14g -16g thickness throughout.

Stamping dies are used to draw bottom of bowls eliminateding build up of water around drain.

3-1/2" SS Basket Drain & Strainer Included.

Tables 75" & longer are built with six or more legs.

Sound deadened between top and channel.

OPTIONS

- Sanalite Poly Cutting Board(s)
- Bullet Feet w/ Pre Drilled Holes
- Flanged Feet with and without Pre Drilled Holes
- Casters with & without brake
- Undershelves
- SS Sink Cover
- Overshelves
- 20" x 20" x 5" Drawer
- Stainless Steel Drawer Pan
- End Splashes

CUSTOM SIZES AVAILABLE

8" DEEP BOWLS

SINGLE SINK

DOUBLE SINK

Left Hand Sink

Right Hand Sink

Left Hand Sink

Right Hand Sink

O.A. Dim.	Bowl Size	Model Number	O.A. Dim.	Bowl Size	Model Number
60 x 30	20x20	1PTB-20L-DS-305	60 x 30	20x20	1PTB-20R-DS-305
72 x 30	20x20	1PTB-20L-DS-306	72 x 30	20x20	1PTB-20R-DS-306
84 x 30	20x20	1PTB-20L-DS-307	84 x 30	20x20	1PTB-20R-DS-307
96 x 30	20x20	1PTB-20L-DS-308	96 x 30	20x20	1PTB-20R-DS-308
108 x 30	20x20	1PTB-20L-DS-309	108 x 30	20x20	1PTB-20R-DS-309
60 x 30	24x24	1PTB-24L-DS-305	60 x 30	24x24	1PTB-24R-DS-305
72 x 30	24x24	1PTB-24L-DS-306	72 x 30	24x24	1PTB-24R-DS-306
84 x 30	24x24	1PTB-24L-DS-307	84 x 30	24x24	1PTB-24R-DS-307
96 x 30	24x24	1PTB-24L-DS-308	96 x 30	24x24	1PTB-24R-DS-308
108 x 30	24x24	1PTB-24L-DS-309	108 x 30	24x24	1PTB-24R-DS-309

O.A. Dim.	Bowl Size	Model Number	O.A. Dim.	Bowl Size	Model Number
60 x 30	20x20	2PTB-20L-DS-305	60 x 30	20x20	2PTB-20R-DS-305
72 x 30	20x20	2PTB-20L-DS-306	72 x 30	20x20	2PTB-20R-DS-306
84 x 30	20x20	2PTB-20L-DS-307	84 x 30	20x20	2PTB-20R-DS-307
96 x 30	20x20	2PTB-20L-DS-308	96 x 30	20x20	2PTB-20R-DS-308
108 x 30	20x20	2PTB-20L-DS-309	108 x 30	20x20	2PTB-20R-DS-309
60 x 30	24x24	2PTB-24L-DS-305	60 x 30	24x24	2PTB-24R-DS-305
72 x 30	24x24	2PTB-24L-DS-306	72 x 30	24x24	2PTB-24R-DS-306
84 x 30	24x24	2PTB-24L-DS-307	84 x 30	24x24	2PTB-24R-DS-307
96 x 30	24x24	2PTB-24L-DS-308	96 x 30	24x24	2PTB-24R-DS-308
108 x 30	24x24	2PTB-24L-DS-309	108 x 30	24x24	2PTB-24R-DS-309

Email: salesandinfo@chainfabricator.com

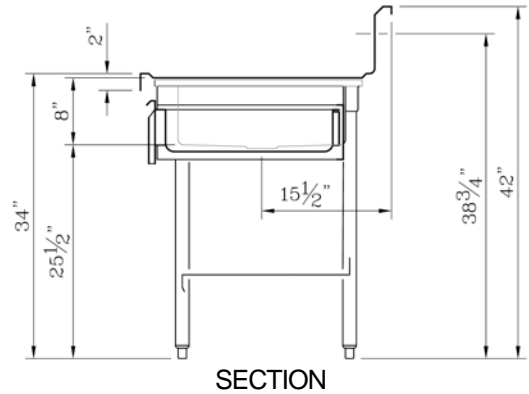
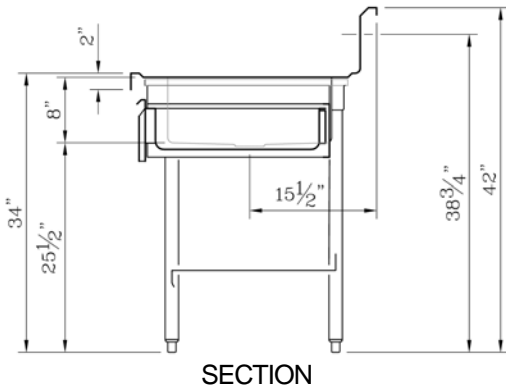
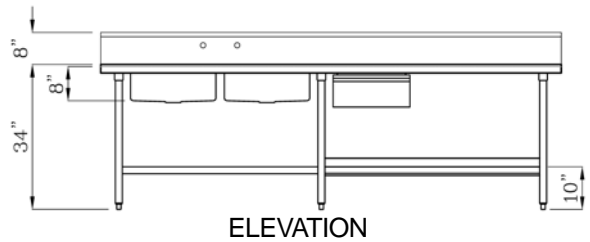
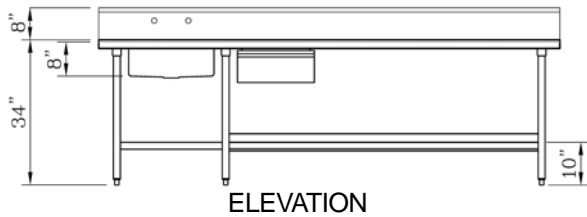
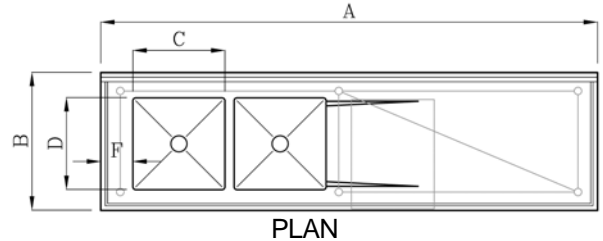
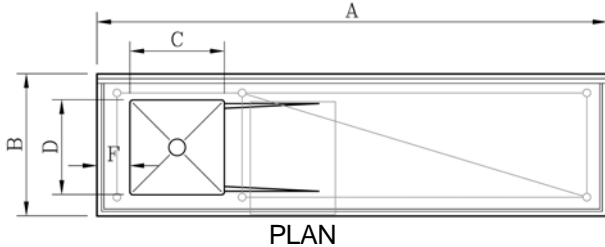
Phone: (916) 638-7370 or 1-888-300-6196 Fax: (916) 638-1172

2650 Mercantile Dr., Suite C - Rancho Cordova, CA 95742



Prep Table w/ Splash, Undershelf, Drawer & Sgl/Dbi Sink

CUSTOM SIZES AVAILABLE



8" DEEP BOWLS

SINGLE SINK

DOUBLE SINK

					Left Sink		Right Sink			
A	B	C	D	F	Model Number	Model Number	Left Sink Model Number	Right Sink Model Number	Ship Wt.	
60	30	20	20	7	1PTB-20L-DS-305	1PTB-20R-DS-305	2PTB-20L-DS-305	2PTB-20R-DS-305		
72	30	20	20	7	1PTB-20L-DS-306	1PTB-20R-DS-306	2PTB-20L-DS-306	2PTB-20R-DS-306		
84	30	20	20	7	1PTB-20L-DS-307	1PTB-20R-DS-307	2PTB-20L-DS-307	2PTB-20R-DS-307		
96	30	20	20	7	1PTB-20L-DS-308	1PTB-20R-DS-308	2PTB-20L-DS-308	2PTB-20R-DS-308		
108	30	20	20	7	1PTB-20L-DS-309	1PTB-20R-DS-309	2PTB-20L-DS-309	2PTB-20R-DS-309		
60	30	24	24	5	1PTB-24L-DS-305	1PTB-24R-DS-305	2PTB-24L-DS-305	2PTB-24R-DS-305		
72	30	24	24	5	1PTB-24L-DS-306	1PTB-24R-DS-306	2PTB-24L-DS-306	2PTB-24R-DS-306		
84	30	24	24	5	1PTB-24L-DS-307	1PTB-24R-DS-307	2PTB-24L-DS-307	2PTB-24R-DS-307		
96	30	24	24	5	1PTB-24L-DS-308	1PTB-24R-DS-308	2PTB-24L-DS-308	2PTB-24R-DS-308		
108	30	24	24	5	1PTB-24L-DS-309	1PTB-24R-DS-309	2PTB-24L-DS-309	2PTB-24R-DS-309		

Email: salesandinfo@chainfabricator.com

Phone: (916) 638-7370 or 1-888-300-6196 Fax: (916) 638-1172