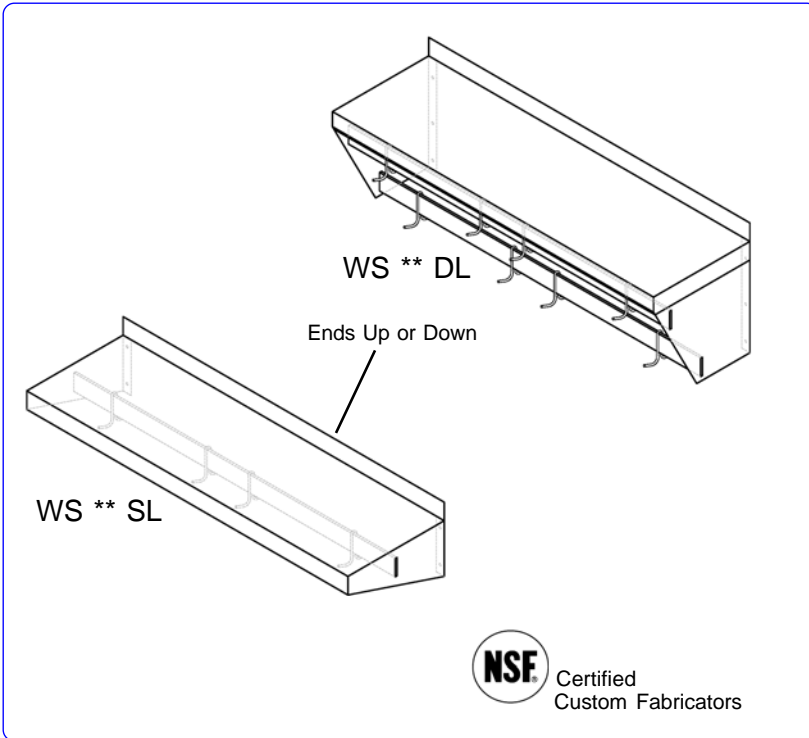




**Pot Rack with Shelf**



**MATERIAL**

Brackets: 14g. Stainless Steel, Type 304, #4 Finish  
 Shelf: 16g. Stainless Steel, Type 304, #4 Finish  
 Rails: Flat Bar 1/4" x 2" Stainless Steel, Type 304/4  
 Stainless Steel Double Prong Pot Hooks (1 per ft.)

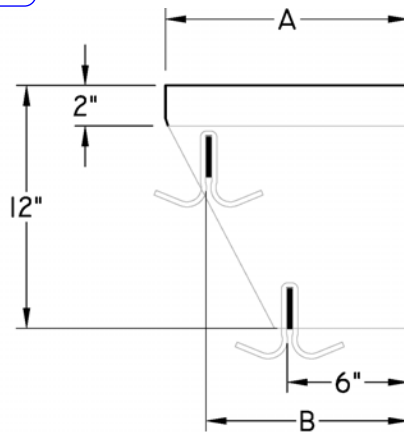
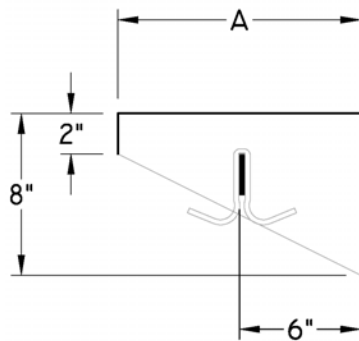
**CONSTRUCTION**

Built in compliance with NSF Standard No.2 and bear the NSF mark of approval.

2 Brackets are fully welded to shelf and pot rack rails (3 equally spaced brackets for shelves over 76".)

**OPTIONS**

Additional Stainless Steel Double Prong Sliding Hooks



**CUSTOM SIZES AVAILABLE**

SINGLE POT RACK W/ SHELF			DOUBLE POT RACK WITH SHELF											
O.A. WIDTH " A "	O.A. LENGTH	Model Number	O.A. WIDTH " A "	O.A. LENGTH	B	Model Number	O.A. WIDTH " A "	O.A. LENGTH	B	Model Number	O.A. WIDTH " A "	O.A. LENGTH	B	Model Number
12, 14, or 16	36	WS**SL-36-12	12	36	10	WS**DL-36-12	14	36	12	WS**DL-36-14	16	36	14	WS**DL-36-16
12, 14, or 16	48	WS**SL-48-12	12	48	10	WS**DL-48-12	14	48	12	WS**DL-48-14	16	48	14	WS**DL-48-16
12, 14, or 16	60	WS**SL-60-12	12	60	10	WS**DL-60-12	14	60	12	WS**DL-60-14	16	60	14	WS**DL-60-16
12, 14, or 16	72	WS**SL-72-12	12	72	10	WS**DL-72-12	14	72	12	WS**DL-72-14	16	72	14	WS**DL-72-16
12, 14, or 16	84	WS**SL-84-12	12	84	10	WS**DL-84-12	14	84	12	WS**DL-84-14	16	84	14	WS**DL-84-16
12, 14, or 16	96	WS**SL-96-12	12	96	10	WS**DL-96-12	14	96	12	WS**DL-96-14	16	96	14	WS**DL-96-16

\*\* Specify ends of shelf up or down by replacing \*\* in Model No. with "U" (Up) or "D" (Down)

Email: salesandinfo@chainfabricator.com

Phone: (916) 638-7370 or 1-888-300-6196 Fax: (916) 638-1172

2650 Mercantile Dr., Suite C - Rancho Cordova, CA 95742