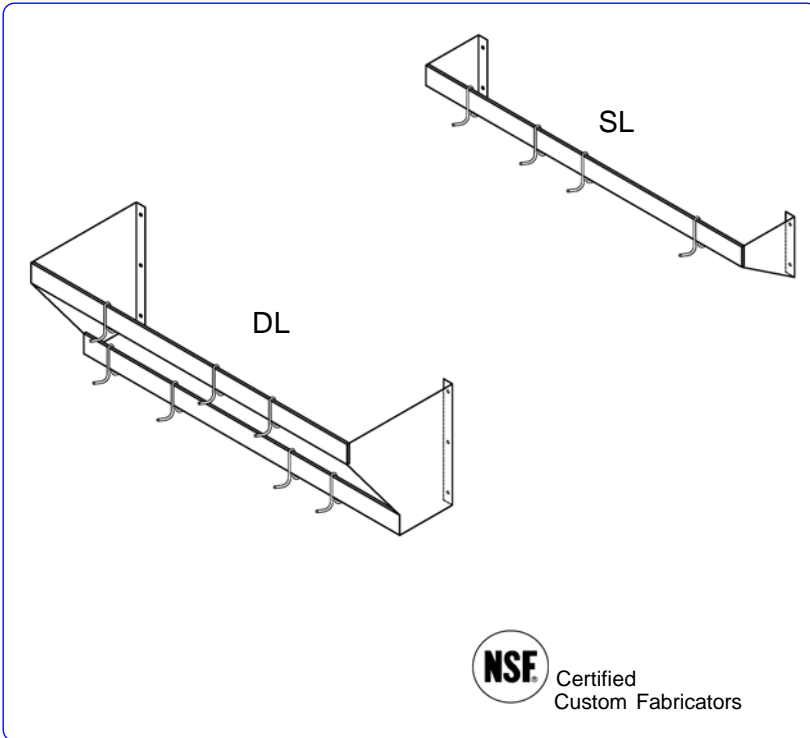




Pot Rack Single & Double



MATERIAL

Brackets: 14g. Stainless Steel, Type 304, #4 Finish
 Rails: Flat Bar 1/4" x 2" Stainless Steel, Type 304/4
 Stainless Steel Double Prong Pot Hooks (1 per ft.)

CONSTRUCTION

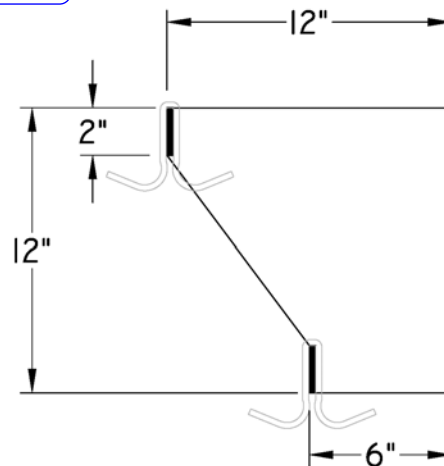
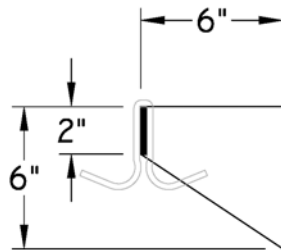
Built in compliance with NSF Standard No.2 and bear the NSF mark of approval.

2 Brackets are fully welded to pot rack rails
 (3 equally spaced brackets for shelves over 76".)

OPTIONS

Additional Stainless Steel Double Prong Sliding Hooks

CUSTOM SIZES AVAILABLE



SINGLE RAIL POT RACK		
O.A. WIDTH	O.A. LENGTH	Model Number
6	36	SL-36
6	48	SL-48
6	60	SL-60
6	72	SL-72
6	84	SL-84
6	96	SL-96

DOUBLE RAIL POT RACK		
O.A. WIDTH	O.A. LENGTH	Model Number
12	36	DL-36
12	48	DL-48
12	60	DL-60
12	72	DL-72
12	84	DL-84
12	96	DL-96

Email: salesandinfo@chainfabricator.com

Phone: (916) 638-7370 or 1-888-300-6196 Fax: (916) 638-1172

2650 Mercantile Dr., Suite C - Rancho Cordova, CA 95742