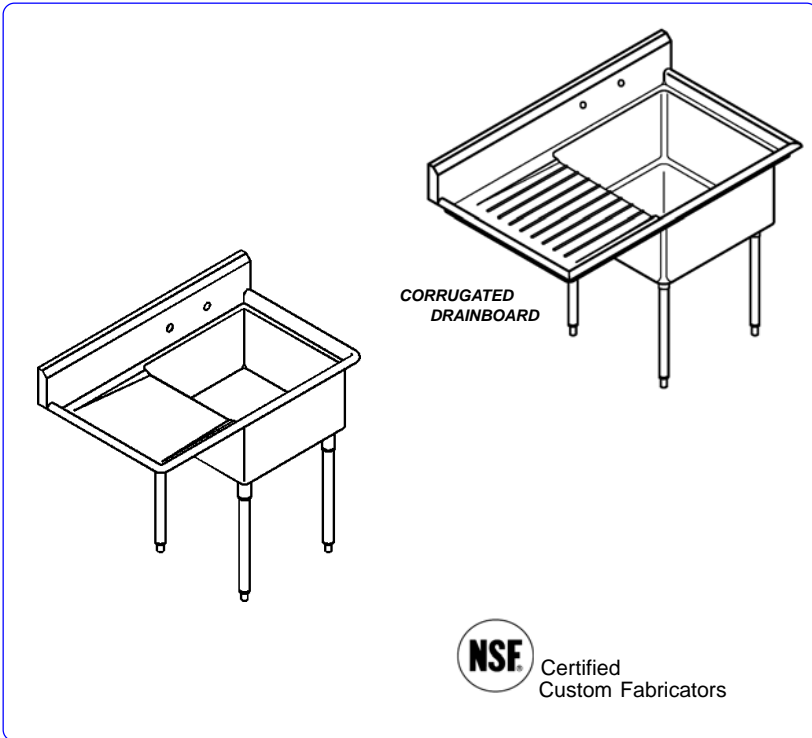




One Compartment - One Drainboard

(Specify Drainboard Location)



MATERIAL

14g. or 16g. Stainless Steel, Type 304, #4 Finish
 1-5/8" O.D. SS 304/4 Tubular Legs, .065 Wall
 Stainless Steel Gussets, and Adjustable Bullet Feet

CONSTRUCTION

Built in compliance with NSF Standard No.2 and bear the NSF mark of approval.

Sinks are formed fabrication (NOT DEEP DRAWN) maintaining 14g & 16g thickness throughout the bowl. We use stamping dies that draw bottom of bowls down eliminating build up of water around drain.

Standard drainboards are embossed for better drainage and appearance.

CORRUGATED drainboards allow air and water to flow under all washable items reducing bacterial and odor and eliminating suction and cross-contamination.

8" Backsplashes designed to maintain truly straight backsplashes for easier installation.

12" Deep Standard Sinks Bowls

3-1/2" SS Basket Drain & Strainer Included

OPTIONS

- Deeper Bowls
- Higher Backsplash
- 16g or 18g Full/Partial Undershelf
- Stainless Steel Cross Bracing
- Front Apron
- Flanged Feet w/ Holes & Without
- Bullet Feet w/ Pre Drilled Holes
- Faucets and Twist Handle Drains
- Lever Brackets

CUSTOM SIZES AVAILABLE

Replace " * " with "L" for Left Drainboard and "R" for Right Drainboard

12" DEEP BOWLS			14 Gauge	14 Gauge	16 Gauge	16 Gauge	
BOWL SIZE	O.A. LENGTH (Inches)	DRBD SIZE (Inches)	14g 304/4 SS Model Number	Corrugated DB 14g 304/4 SS Model Number	Corrugated DB 16g 304/4 SS Model Number	16 Gauge 16g 304/4 SS Model Number	Faucet Holes
18 x 18	23.5 x 38.5	18	1T1818-*D18-14	1T1818-*C18-14	1T1818-*C18	1T1818-*D18	One Set
18 x 18	23.5 x 44.5	24	1T1818-*D24-14	1T1818-*C24-14	1T1818-*C24	1T1818-*D24	One Set
18 x 24	29.5 x 38.5	18	1T1824-*D18-14	1T1824-*C18-14	1T1824-*C18	1T1824-*D18	One Set
18 x 24	29.5 x 44.5	24	1T1824-*D24-14	1T1824-*C24-14	1T1824-*C24	1T1824-*D24	One Set
24 x 24	29.5 x 50.5	24	1T2424-*D24-14	1T2424-*C24-14	1T2424-*C24	1T2424-*D24	One Set

Email: salesandinfo@chainfabricator.com

Phone: (916) 638-7370 or 1-888-300-6196 Fax: (916) 638-1172

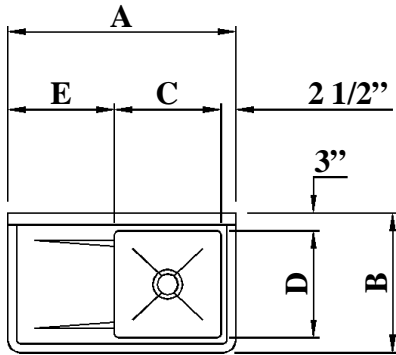
2650 Mercantile Dr., Suite C - Rancho Cordova, CA 95742



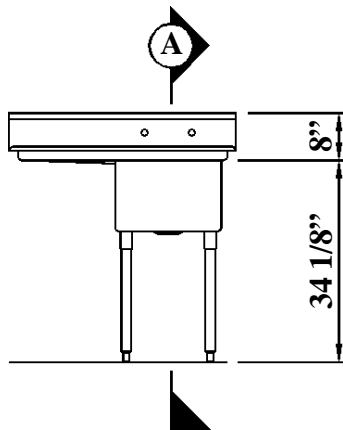
One Compartment - One Drainboard

(Specify Drainboard Location)

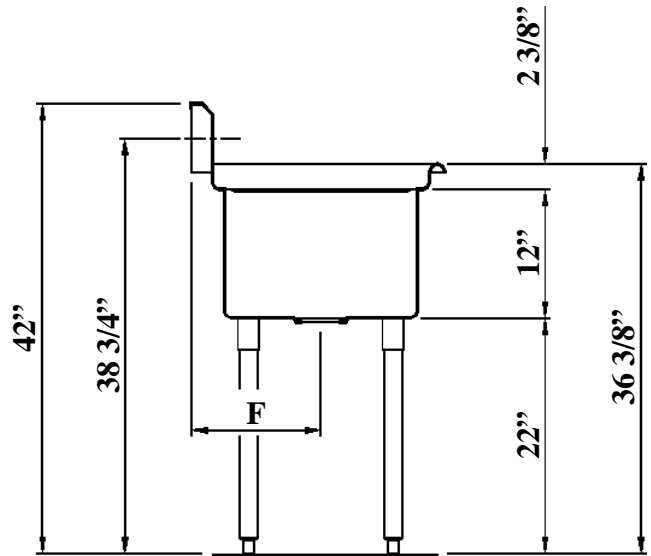
CUSTOM SIZES AVAILABLE



PLAN



ELEVATION



SECTION



Certified
 Custom Fabricators

Replace " " with "L" for Left Drainboard and "R" for Right Drainboard

12" DEEP BOWLS

UNIT Length	UNIT Width	BOWL Length	BOWL Width	DRAIN-BOARD	14 Gauge Corrugated DB		16 Gauge Corrugated DB		Cu. Ft.	
					14g 304/4 SS	14g 304/4 SS	16g 304/4 SS	16g 304/4 SS		
A	B	C	D	E	Model Number	Model Number	Wt.	Model Number	Model Number	Wt.
38.5	23.5	18	18	18	1T1818-*D18-14	1T1818-*C18-14		1T1818-*C18	1T1818-*D18	
44.5	23.5	18	18	24	1T1818-*D24-14	1T1818-*C24-14		1T1818-*C24	1T1818-*D24	
38.5	29.5	18	24	18	1T1824-*D18-14	1T1824-*C18-14		1T1824-*C18	1T1824-*D18	
44.5	29.5	18	24	24	1T1824-*D24-14	1T1824-*C24-14		1T1824-*C24	1T1824-*D24	
50.5	29.5	24	24	24	1T2424-*D24-14	1T2424-*C24-14		1T2424-*C24	1T2424-*D24	

Email: salesandinfo@chainfabricator.com

Phone: (916) 638-7370 or 1-888-300-6196 Fax: (916) 638-1172