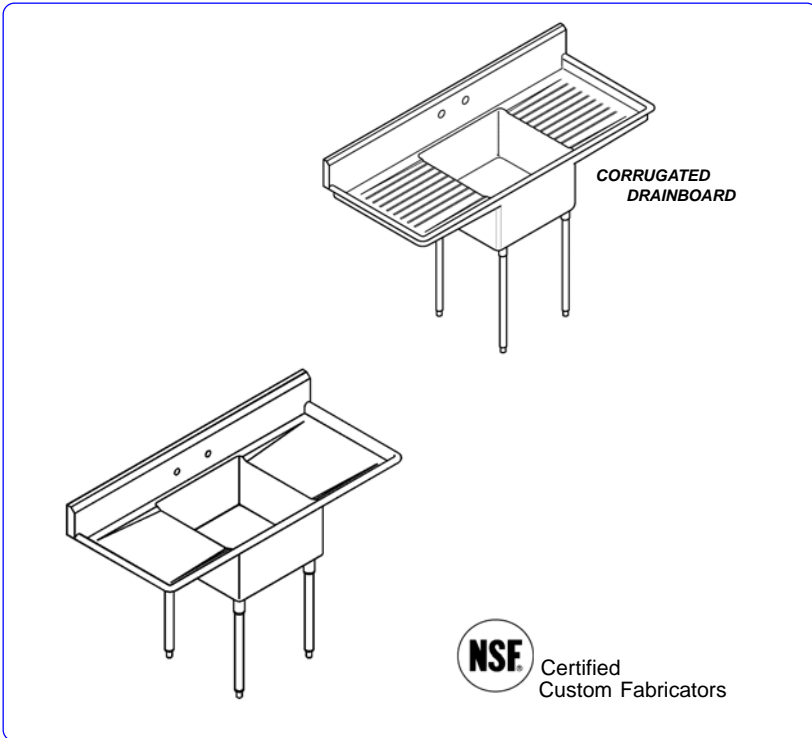




**One Compartment - Two Drainboards**



**MATERIAL**

14g. or 16g. Stainless Steel, Type 304, #4 Finish  
 1-5/8" O.D. SS 304/4 Tubular Legs, .065 Wall  
 Stainless Steel Gussets, and Adjustable Bullet Feet

**CONSTRUCTION**

Built in compliance with NSF Standard No.2 and bear the NSF mark of approval.

Sinks are formed fabrication (NOT DEEP DRAWN) maintaining 14g & 16g thickness throughout the bowl. We use stamping dies that draw bottom of bowls down eliminating build up of water around drain.

Standard drainboards are embossed for better drainage and appearance.

**CORRUGATED** drainboards allow air and water to flow under all washable items reducing bacterial and odor and eliminating suction and cross-contamination.

8" Backsplashes designed to maintain truly straight backsplashes for easier installation.

12" Deep Standard Sinks Bowls

3-1/2" SS Basket Drain & Strainer Included

**OPTIONS**

- Deeper Bowls
- Higher Backsplash
- 16g or 18g Full/Partial Undershelf
- Stainless Steel Cross Bracing
- Front Apron
- Flanged Feet w/ Holes & Without
- Bullet Feet w/ Pre Drilled Holes
- Faucets and Twist Handle Drains
- Lever Brackets

**CUSTOM SIZES AVAILABLE**

12" DEEP BOWLS			14 Gauge	14 Gauge	16 Gauge	16 Gauge	
			14g 304/4 SS	Corrugated DB 14g 304/4 SS	Corrugated DB 16g 304/4 SS	16 Gauge 16g 304/4 SS	
BOWL SIZE	O.A. LENGTH (Inches)	DRBD SIZE (Inches)	Model Number	Model Number	Model Number	Model Number	Faucet Holes
16 x 20	25.5 x 52	18	1T1620-2D18-14	1T1620-2C18-14	1T1620-2C18	1T1620-2D18	One Set
18 x 18	23.5 x 54	18	1T1818-2D18-14	1T1818-2C18-14	1T1818-2C18	1T1818-2D18	One Set
18 x 18	23.5 x 66	24	1T1818-2D24-14	1T1818-2C24-14	1T1818-2C24	1T1818-2D24	One Set
18 x 24	29.5 x 54	18	1T1824-2D18-14	1T1824-2C18-14	1T1824-2C18	1T1824-2D18	One Set
18 x 24	29.5 x 66	24	1T1824-2D24-14	1T1824-2C24-14	1T1824-2C24	1T1824-2D24	One Set
24 x 24	29.5 x 72	24	1T2424-2D24-14	1T2424-2C24-14	1T2424-2C24	1T2424-2D24	One Set

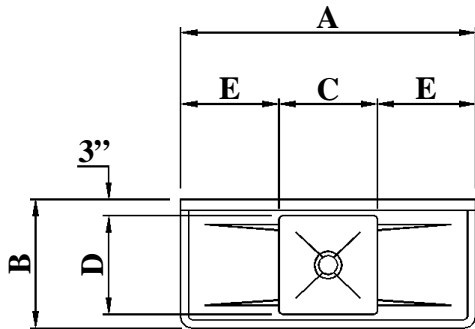
Email: [salesandinfo@chainfabricator.com](mailto:salesandinfo@chainfabricator.com)

Phone: (916) 638-7370 or 1-888-300-6196 Fax: (916) 638-1172

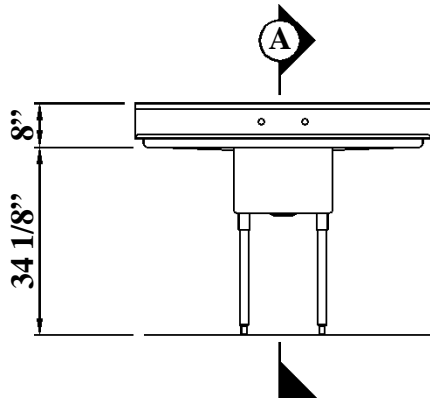
2650 Mercantile Dr., Suite C - Rancho Cordova, CA 95742



**One Compartment - Two Drainboards**

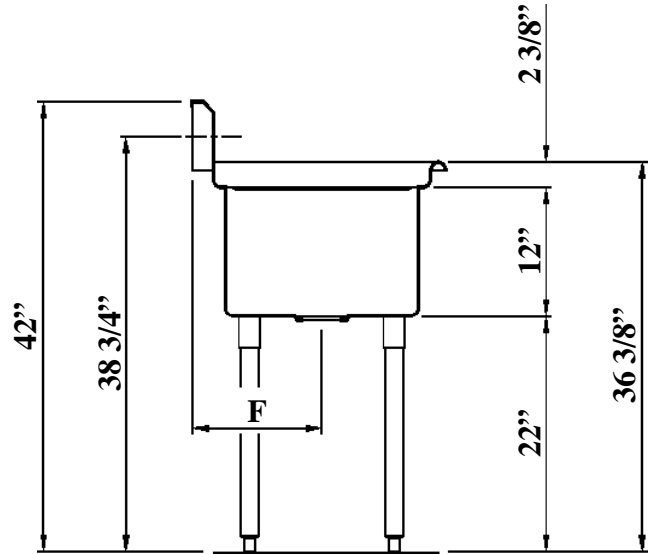


PLAN



ELEVATION

**CUSTOM SIZES AVAILABLE**



SECTION



**12" DEEP BOWLS**

UNIT Length	UNIT Width	BOWL Length	BOWL Width	DRAIN-BOARD	14 Gauge		16 Gauge		Cu. Ft.
					14g 304/4 SS	14g 304/4 SS	16g 304/4 SS	16g 304/4 SS	
A	B	C	D	E	Model Number	Model Number	Model Number	Model Number	Wt.
52	25.5	16	20	18	1T1620-2D18-14	1T1620-2C18-14	1T1620-2C18	1T1620-2D18	
54	23.5	18	18	18	1T1818-2D18-14	1T1818-2C18-14	1T1818-2C18	1T1818-2D18	58
66	23.5	18	18	24	1T1818-2D24-14	1T1818-2C24-14	1T1818-2C24	1T1818-2D24	66
54	29.5	18	24	18	1T1824-2D18-14	1T1824-2C18-14	1T1824-2C18	1T1824-2D18	75
66	29.5	18	24	24	1T1824-2D24-14	1T1824-2C24-14	1T1824-2C24	1T1824-2D24	85
72	29.5	24	24	24	1T2424-2D24-14	1T2424-2C24-14	1T2424-2C24	1T2424-2D24	92

Email: [salesandinfo@chainfabricator.com](mailto:salesandinfo@chainfabricator.com)

Phone: (916) 638-7370 or 1-888-300-6196 Fax: (916) 638-1172