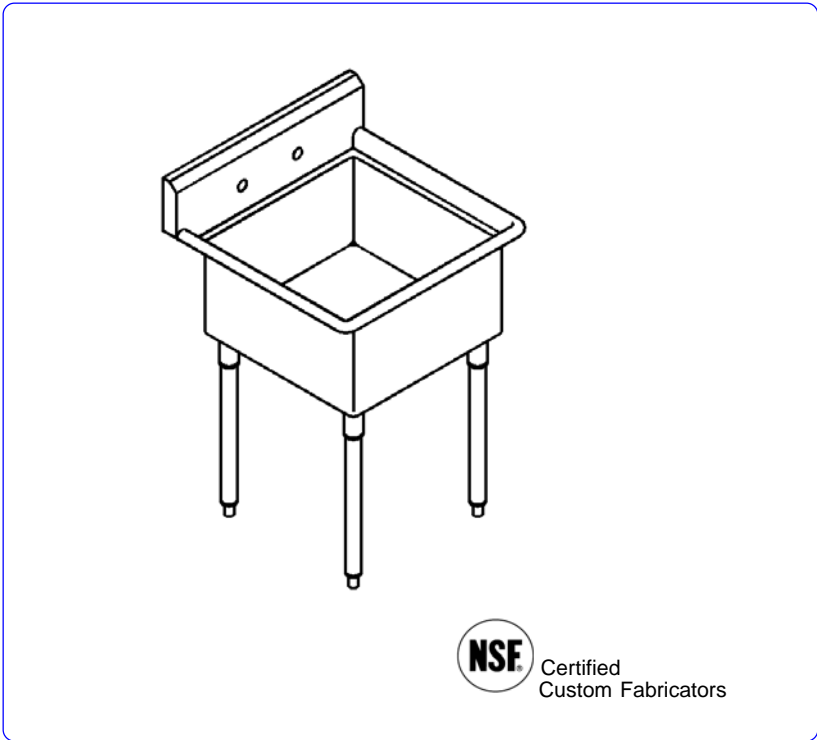




**One Compartment - No Drainboard**



**MATERIAL**

14g. or 16g. Stainless Steel, Type 304, #4 Finish

1-5/8" O.D. SS 304/4 Tubular Legs, .065 Wall

Stainless Steel Gussets, and Adjustable Bullet Feet

**CONSTRUCTION**

Built in compliance with NSF Standard No.2 and bear the NSF mark of approval.

Sinks are formed fabrication (NOT DEEP DRAWN) maintaining 14g & 16g thickness throughout the bowl. We use stamping dies that draw bottom of bowls down eliminating build up of water around drain.

Standard drainboards are embossed for better drainage and appearance.

**CORRUGATED** drainboards allow air and water to flow under all washable items reducing bacterial and odor and eliminating suction and cross-contamination.

8" Backsplashes designed to maintain truly straight backsplashes for easier installation.

12" Deep Standard Sinks Bowls

3-1/2" SS Basket Drain & Strainer Included

**OPTIONS**

- Deeper Bowls
- Higher Backsplash
- 16g or 18g Full/Partial Undershelf
- Stainless Steel Cross Bracing
- Front Apron
- Flanged Feet w/ Holes & Without
- Bullet Feet w/ Pre Drilled Holes
- Faucets and Twist Handle Drains
- Lever Brackets

***CUSTOM SIZES AVAILABLE***

12" DEEP BOWLS		14 Gauge 14g 304/4 SS	16 Gauge 16g 304/4 SS	Faucet Holes
BOWL SIZE	O.A. LENGTH (Inches)	Model Number	Model Number	
18 x 18	23.5 x 23	1T1818-14	1T1818	One Set
18 x 24	29.5 x 23	1T1824-14	1T1824	One Set
24 x 24	29.5 x 29	1T2424-14	1T2424	One Set

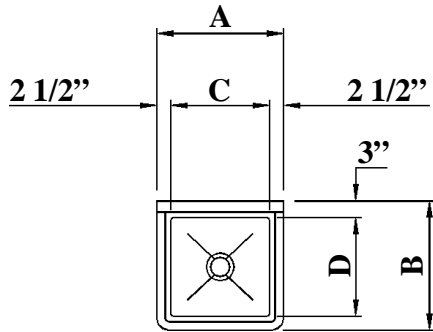
Email: [salesandinfo@chainfabricator.com](mailto:salesandinfo@chainfabricator.com)

Phone: (916) 638-7370 or 1-888-300-6196 Fax: (916) 638-1172

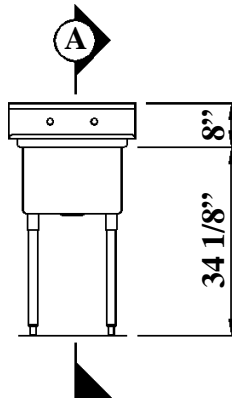
2650 Mercantile Dr., Suite C - Rancho Cordova, CA 95742



**One Compartment - No Drainboard**

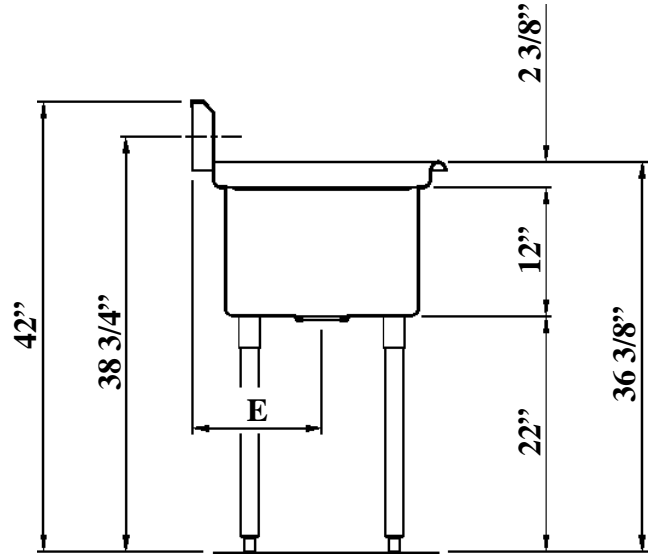


PLAN



ELEVATION

**CUSTOM SIZES AVAILABLE**



SECTION



Certified  
 Custom Fabricators

**12" DEEP BOWLS**

UNIT Length	UNIT Width	BOWL Length	BOWL Width
A	B	C	D
23	23.5	18	18
23	29.5	18	24
29	29.5	24	24

**14 Gauge  
 14g 304/4 SS**

Model Number	Wt.
1T1818-14	
1T1824-14	
1T2424-14	

**16 Gauge  
 16g 304/4 SS**

Model Number	Wt.	Cu. Ft.
1T1818	48	
1T1824	55	
1T2424	64	

Email: [salesandinfo@chainfabricator.com](mailto:salesandinfo@chainfabricator.com)

Phone: (916) 638-7370 or 1-888-300-6196 Fax: (916) 638-1172