

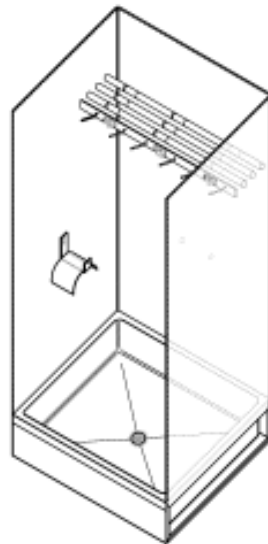


Mop & Mat Wash Station

**NO
 Fiberglass Cracks!**

**Sink
 Wall Lining
 Utility Shelf/Holder
 All in One**

Shown with optional stainless steel hose holder.



MATERIAL

14g. or 16g. Stainless Steel, Type 304, #4 Finish
 Shelf: 1" O.D. SS Tube, .065 Thickness, 304/4
 Tool Holder: 1/4" x 2" SS Flat Bar, Type 304/4

CONSTRUCTION

Three sided enclosed stall design.
 Built-in Chemical Shelf with 3 Tool Holders.
 Built-in Mat Holder.
 NSF Standard 2 construction with 5/8" radius on all inside corners for easy cleaning.
 Sinks are formed fabrication (NOT DEEP DRAWN) maintaining 14g & 16g thickness throughout the bowl. We use stamping dies that draw bottom of bowls down eliminating build up of water around drain.

8" Deep Sink Bowl

Special die cast drain to connect to standard 2" Schedule 40 drain pipe connection.

OPTIONS

- Stainless Steel Hose Holder
- 3/4" Hose & Wall Mount Clip

Service Sink Faucet with Vacuum Breaker, Pail Hook, 3/4" Garden Hose Thread and Support Bracket INCLUDED

CUSTOM SIZES AVAILABLE

8" DEEP BOWL	14 Gauge	16 Gauge	Cu.
O.A. Dim.	Model Number	Model Number	Ft.
	Wt.	Wt.	
36 x 42 x 70 High	42MMS36-14	42MMS36	
36 x 48 x 70 High	48MMS36-14	48MMS36	
42 x 42 x 70 High	42MMS42-14	42MMS42	
42 x 48 x 70 High	48MMS42-14	48MMS42	

Email: salesandinfo@chainfabricator.com

Phone: (916) 638-7370 or 1-888-300-6196 Fax: (916) 638-1172

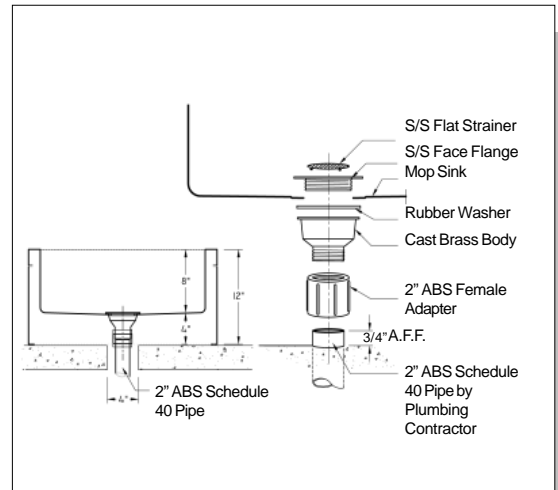
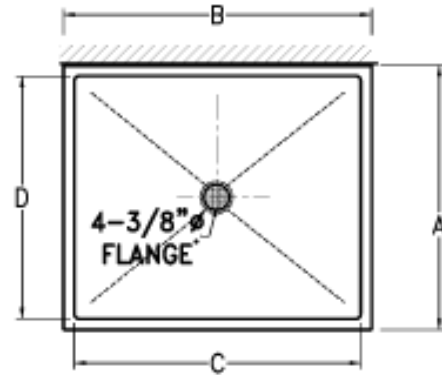
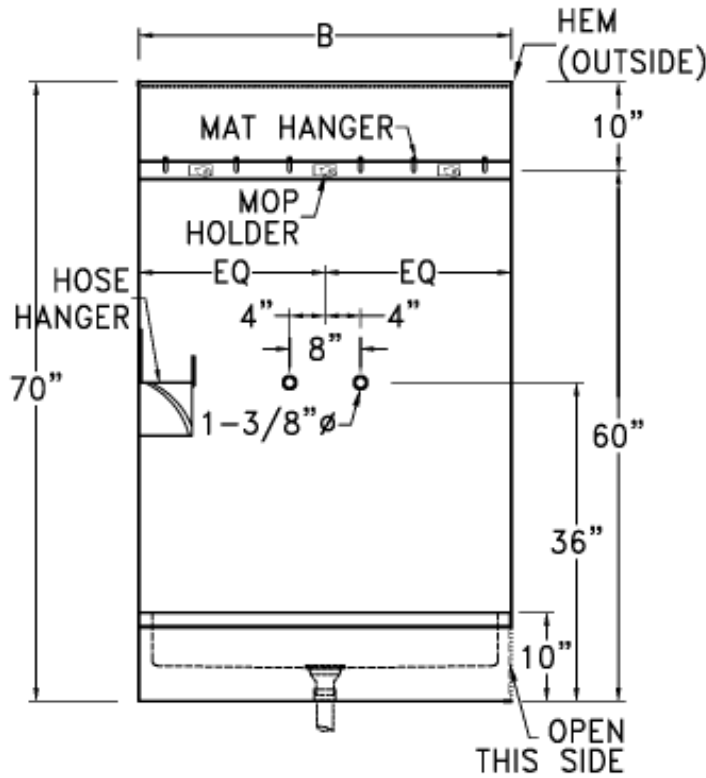
2650 Mercantile Dr., Suite C - Rancho Cordova, CA 95742

MMS-1



Mop & Mat Wash Station

CUSTOM SIZES AVAILABLE



NSF Certified Custom Fabricators

8" DEEP BOWL				14 Gauge	16 Gauge
Dimensions				Model	Model
A	B	C	D	Number	Number
36	42	39	33	42MMS 36-14	42MMS36
36	48	45	33	48MMS 36-14	48MMS36
42	42	39	39	42MMS 42-14	42MMS42
42	48	45	39	48MMS 42-14	48MMS42

Email: salesandinfo@chainfabricator.com

Phone: (916) 638-7370 or 1-888-300-6196 Fax: (916) 638-1172