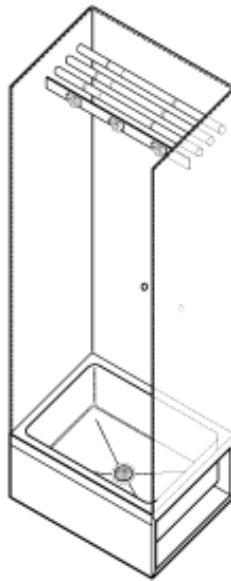




Mop & Can Wash Station

**NO
 Fiberglass Cracks!**

**Sink
 Wall Lining
 Utility Shelf/Holder
 All in One**



MATERIAL

14g. or 16g. Stainless Steel, Type 304, #4 Finish
 Shelf: 1" O.D. SS Tube, .065 Thickness, 304/4
 Tool Holder: 1/4" x 2" SS Flat Bar, Type 304/4

CONSTRUCTION

Three sided enclosed stall design.
 Built-in Chemical Shelf with 3 Tool Holders.
 NSF Standard 2 construction with 5/8" radius on all inside corners for easy cleaning.
 Sinks are formed fabrication (NOT DEEP DRAWN) maintaining 14g & 16g thickness throughout the bowl. We use stamping dies that draw bottom of bowls down eliminating build up of water around drain.

8" Deep Sink Bowl

Special die cast drain to connect to standard 2" Schedule 40 drain pipe connection.

OPTIONS

- Stainless Steel Hose Holder
- 3/4" Hose & Wall Mount Clip

**Service Sink Faucet with Vacuum
 Breaker, Pail Hook, 3/4" Garden Hose
 Thread and Support Bracket INCLUDED**

CUSTOM SIZES AVAILABLE

8" DEEP BOWL	14 Gauge		16 Gauge		Cu. Ft.
	O.A. Dim.	Model Number	Wt.	Model Number	
30 x 24 x 70 High	30MCS24-14		30MCS24		
36 x 24 x 70 High	36MCS24-14		36MCS24		
30 x 36 x 70 High	36MCS30-14		36MCS30		
30 x 42 x 70 High	42MCS30-14		42MCS30		

Email: salesandinfo@chainfabricator.com

Phone: (916) 638-7370 or 1-888-300-6196 Fax: (916) 638-1172

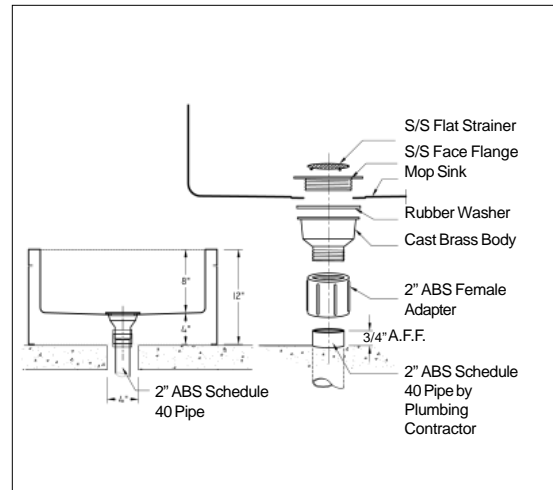
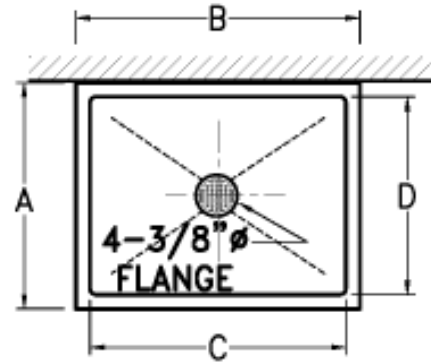
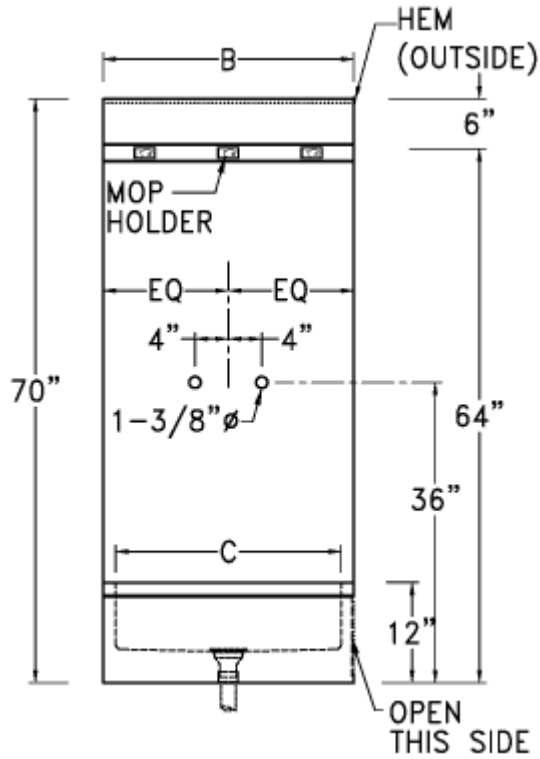
2650 Mercantile Dr., Suite C - Rancho Cordova, CA 95742

MCS-1



Mop & Can Wash Station

CUSTOM SIZES AVAILABLE



NSF Certified Custom Fabricators

8" DEEP BOWL				14 Gauge	16 Gauge
Dimensions				Model	Model
A	B	C	D	Number	Number
24	30	27	21	30MCS24-14	30MCS24
24	36	33	21	36MCS24-14	36MCS24
30	36	33	27	36MCS30-14	36MCS30
30	42	39	27	42MCS30-14	42MCS30

Email: salesandinfo@chainfabricator.com

Phone: (916) 638-7370 or 1-888-300-6196 Fax: (916) 638-1172