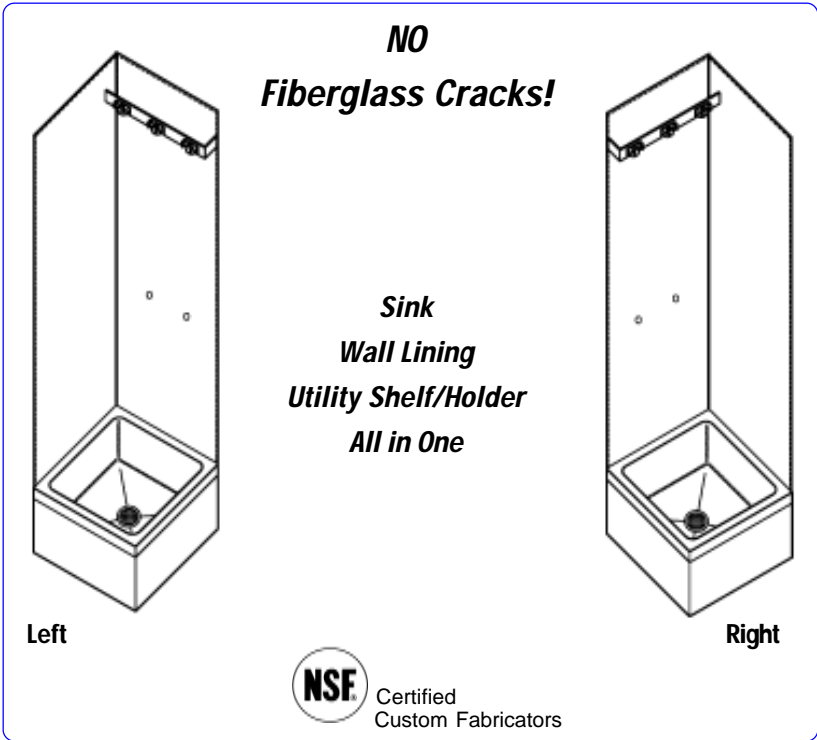




**Mop & Can Wash Station Corner Left or Right**



**MATERIAL**

14g. or 16g. Stainless Steel, Type 304, #4 Finish  
 Tool Holder: 1/4" x 2" SS Flat Bar, Type 304/4  
 3" Cast Bronze Body, Nickel Plated Drain  
 (NPS 2", Face Flange 4-3/8")

**CONSTRUCTION**

Two sided stall design.  
 3 Tool Holders  
 NSF Standard 2 construction with 5/8" radius on all inside corners for easy cleaning.  
 Sinks are formed fabrication (NOT DEEP DRAWN) maintaining 14g & 16g thickness throughout the bowl. We use stamping dies that draw bottom of bowls down eliminating build up of water around drain.

8" Deep Sink Bowl

Special die cast drain to connect to standard 2" Schedule 40 drain pipe connection.

**OPTIONS**

- Stainless Steel Hose Holder
- 3/4" Hose & Wall Mount Clip
- Built-in Chemical Shelf with 3 Tool Holders  
 (See Utility Shelves)

**Service Sink Faucet with Vacuum Breaker, Pail Hook, 3/4" Garden Hose Thread and Support Bracket INCLUDED**

***CUSTOM SIZES AVAILABLE***

**Left Hand Model**

**Right Hand Model**

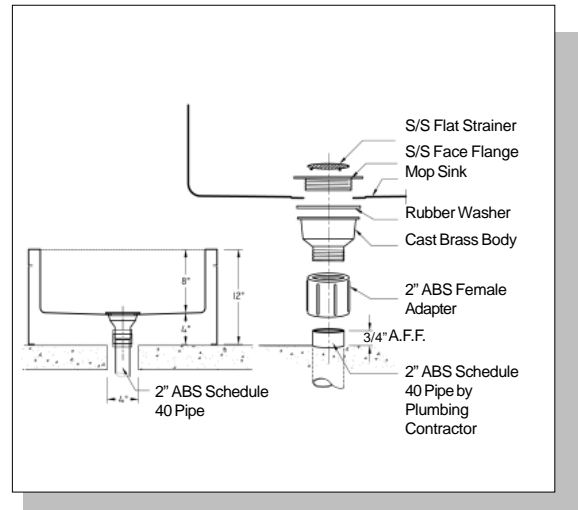
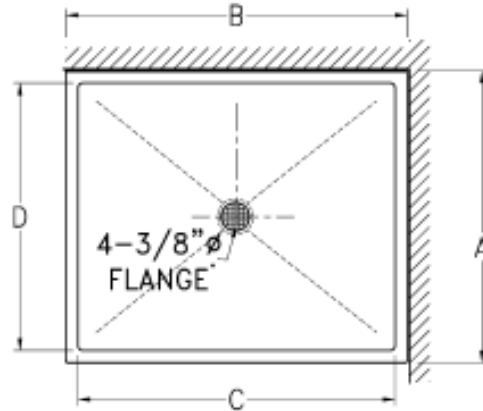
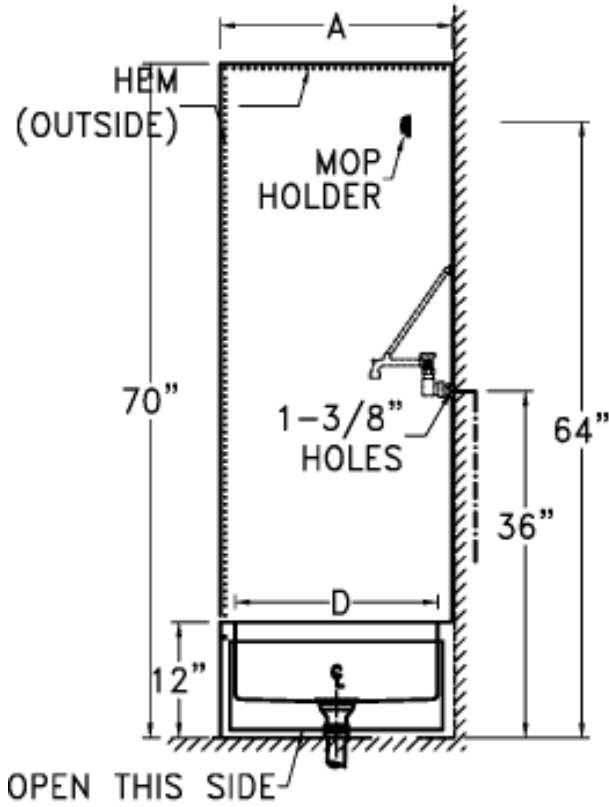
8" DEEP BOWL		14 Gauge		16 Gauge		8" DEEP BOWL		14 Gauge		16 Gauge	
O.A. Dim.	Model Number	Wt.	Model Number	Wt.	Cu. Ft.	O.A. Dim.	Model Number	Wt.	Model Number	Wt.	Cu. Ft.
24 x 24 x 70 High	24MCS24-14-L		24MCS24-L			24 x 24 x 70 High	24MCS24-14-R		24MCS24-R		
30 x 30 x 70 High	30MCS30-14-L		30MCS30-L			30 x 30 x 70 High	30MCS30-14-R		30MCS30-R		

Email: [salesandinfo@chainfabricator.com](mailto:salesandinfo@chainfabricator.com)



**Mop & Can Wash Station Corner Left or Right**

***CUSTOM SIZES AVAILABLE***



**NSF** Certified Custom Fabricators

**Left Hand Model**

8" DEEP BOWL				14 Gauge	16 Gauge
Dimensions				Model	Model
A	B	C	D	Number	Number
24	24	21	21	24MCS24-14-L	24MCS24-L
30	30	27	27	30MCS30-14-L	30MCS30-L

**Right Hand Model**

8" DEEP BOWL				14 Gauge	16 Gauge
Dimensions				Model	Model
A	B	C	D	Number	Number
24	24	21	21	24MCS24-14-R	24MCS24-R
30	30	27	27	30MCS30-14-R	30MCS30-R

Email: [salesandinfo@chainfabricator.com](mailto:salesandinfo@chainfabricator.com)

Phone: (916) 638-7370 or 1-888-300-6196 Fax: (916) 638-1172