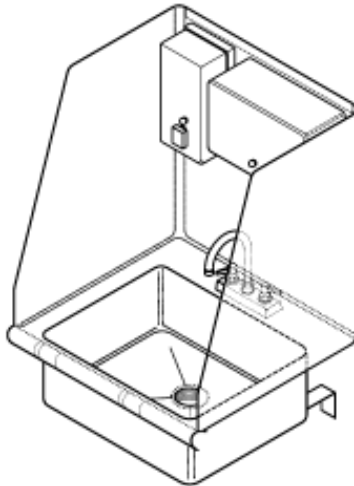




Handwash Station

4" O.C. Goosneck Faucet Included
(AB 1953 Compliant)



MATERIAL

- 16g. Stainless Steel, Type 304, #4 Finish
- Mounting Brackets: 14g SS, Type 304, #4 Finish
- 1-1/2" SS Basket Drain & Strainer Included
- 4" O.C. AB 1953 Compliant Goosneck Faucet Included
- Stainless Steel Soap Dispenser
- Stainless Steel Multifold Paper Towel Dispenser

CONSTRUCTION

- Built in compliance with NSF Standard No.2 and bear the NSF mark of approval.
- Sinks are formed fabrication (NOT DEEP DRAWN) maintaining 16g thickness throughout the bowl. We use stamping dies that draw bottom of bowls down eliminating build up of water around drain.
- Marine style front edge deters spillage.
- Extra tall built-in rear and side splashes eliminate cross contamination.
- 5" Deep Sink Bowls

OPTIONS

- Deeper Bowls
- Faucet with Wrist Blade Handles
- Touchless Faucet

CUSTOM SIZES AVAILABLE

Model Number	Ship Wt.	Cubic Ft.
HWS20-15		



CUSTOM SIZES AVAILABLE

