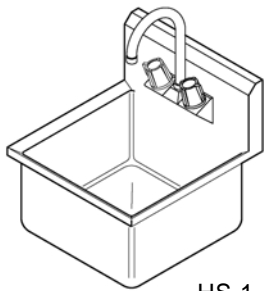


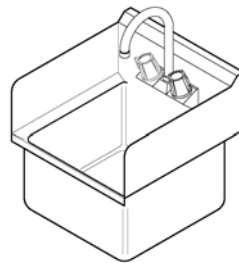


Hand Sinks

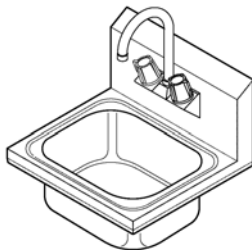


HS-1

4" O.C. Goosneck Faucet Included
(AB 1953 Compliant)



HS-1-ES



Economy Handsink
20g. 300 Series SS



MATERIAL

16g. Stainless Steel, Type 304, #4 Finish

Mounting Brackets: 14g SS, Type 304, #4 Finish

1-1/2" SS Basket Drain & Strainer Included

4" O.C. AB 1953 Compliant Gooseneck Faucet Included

CONSTRUCTION

Built in compliance with NSF Standard No.2 and bear the NSF mark of approval.

Sinks are formed fabrication (NOT DEEP DRAWN) maintaining 16g thickness throughout the bowl. We use stamping dies that draw bottom of bowls down eliminating build up of water around drain.

Inverted "V" edge rim deters spillage.

6" Backsplashes designed to maintain truly straight backsplashes for easier installation.

6" Deep Standard Sink Bowls

OPTIONS

- Deeper Bowls
- Higher Backsplash or Endsplash
- Faucet with Wrist Blade Handles
- Touchless Faucet

CUSTOM SIZES AVAILABLE

Model Number	Ship Wt.	Cubic Ft.
HS-1		
HS-1-ES		
ECONOMY		

Email: salesandinfo@chainfabricator.com

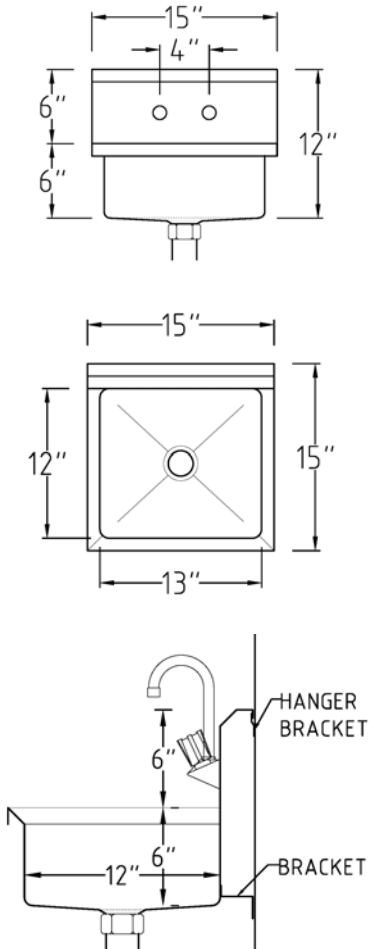
Phone: (916) 638-7370 or 1-888-300-6196 Fax: (916) 638-1172

2650 Mercantile Dr., Suite C - Rancho Cordova, CA 95742

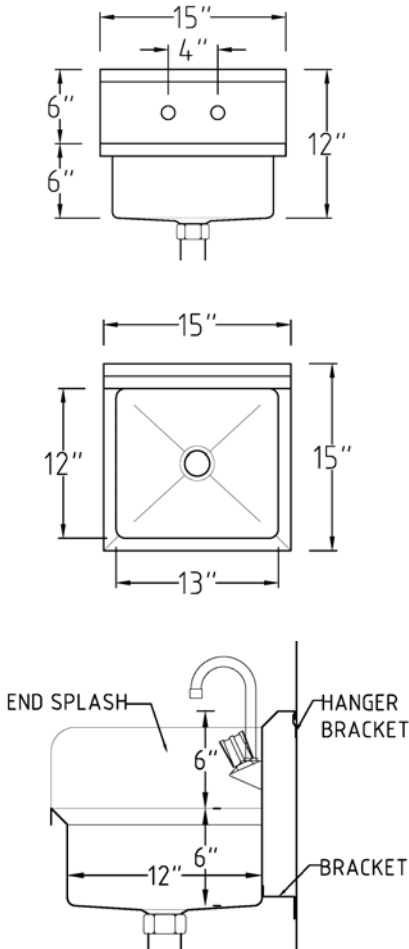


CUSTOM SIZES AVAILABLE

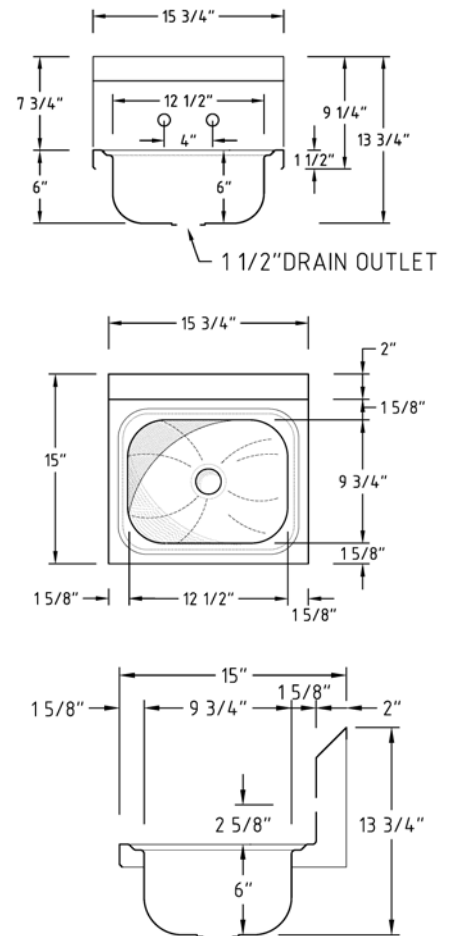
HS-1



HS-1-ES



Economy



Certified
 Custom Fabricators

Email: salesandinfo@chainfabricator.com

Phone: (916) 638-7370 or 1-888-300-6196 Fax: (916) 638-1172