



Floor Troughs - Stainless Steel 3" Drain



MATERIAL

Trough: 14g Stainless Steel, Type 304, #4 Finish

Cover: 3/8" S/S Tie Rods & 3/16" x 1" Flat Bar

Dain: 3" Stainless Steel with Stainless Steel Perforated Waste Basket

Tailpiece: 3" Stainless Steel Schedule 10 Pipe (Length 3" Typical)

CONSTRUCTION

Built in compliance with NSF Standard No.2

No Hub Connection

All welded construction

Trough pitched toward drain

OPTIONS

- 6" Stainless Steel Box Pattern Drain
- ADA Non Slip Serrated Grate
- Splash Guard
- Prison Package Grate Holding Frame
- Scrap Collection Tray

*For Sizes and Dimensions
See Next Page*

CUSTOM SIZES AVAILABLE
Consult Factory

See next page for complete model numbers

Email: salesandinfo@chainfabricator.com

Phone: (916) 638-7370 or 1-888-300-6196 Fax: (916) 638-1172

2650 Mercantile Dr., Suite C - Rancho Cordova, CA 95742

SFT-1

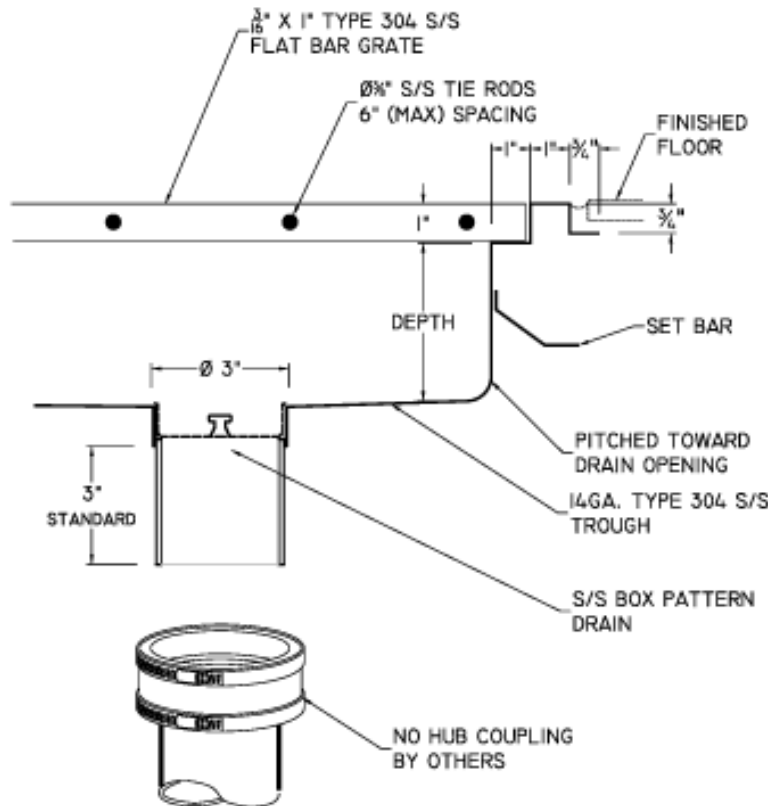
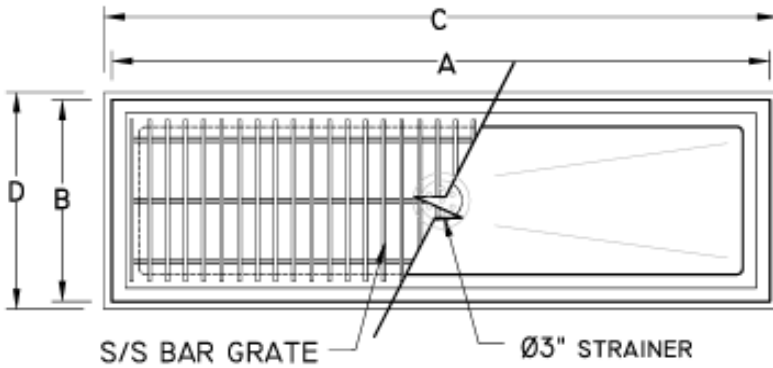


Floor Troughs - Stainless Steel 3" Drain



CUSTOM SIZES AVAILABLE

3" DRAIN



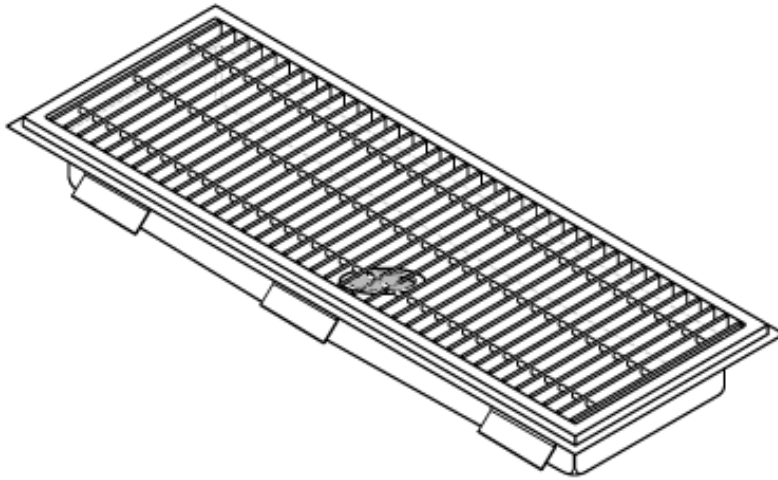
Std 4" Deep		Deep 6"				Overall	
Model Number	Model Number	Trough Dim.	A	B	C	D	
3-SFT824-4	3-SFT824-6	24x8	24	8	25 1/2	9 1/2	
3-SFT830-4	3-SFT830-6	30x8	30	8	31 1/2	9 1/2	
3-SFT836-4	3-SFT836-6	36x8	36	8	37 1/2	9 1/2	
3-SFT842-4	3-SFT842-6	42x8	42	8	43 1/2	9 1/2	
3-SFT848-4	3-SFT848-6	48x8	48	8	49 1/2	9 1/2	
3-SFT860-4	3-SFT860-6	60x8	60	8	61 1/2	9 1/2	
3-SFT872-4	3-SFT872-6	72x8	72	8	73 1/2	9 1/2	
3-SFT884-4	3-SFT884-6	84x8	84	8	85 1/2	9 1/2	
3-SFT896-4	3-SFT896-6	96x8	96	8	97 1/2	9 1/2	
3-SFT8108-4	3-SFT8108-6	108x8	108	8	109 1/2	9 1/2	
3-SFT8120-4	3-SFT8120-6	120x8	120	8	121 1/2	9 1/2	
3-SFT1224-4	3-SFT1224-6	24x12	24	12	25 1/2	13 1/2	
3-SFT1230-4	3-SFT1230-6	30x12	30	12	31 1/2	13 1/2	
3-SFT1236-4	3-SFT1236-6	36x12	36	12	37 1/2	13 1/2	
3-SFT1242-4	3-SFT1242-6	42x12	42	12	43 1/2	13 1/2	
3-SFT1248-4	3-SFT1248-6	48x12	48	12	49 1/2	13 1/2	
3-SFT1260-4	3-SFT1260-6	60x12	60	12	61 1/2	13 1/2	
3-SFT1272-4	3-SFT1272-6	72x12	72	12	73 1/2	13 1/2	
3-SFT1284-4	3-SFT1284-6	84x12	84	12	85 1/2	13 1/2	
3-SFT1296-4	3-SFT1296-6	96x12	96	12	97 1/2	13 1/2	
3-SFT12108-4	3-SFT12108-6	108x12	108	12	109 1/2	13 1/2	
3-SFT12120-4	3-SFT12120-6	120x12	120	12	121 1/2	13 1/2	
3-SFT1824-4	3-SFT1824-6	24x18	24	18	25 1/2	19 1/2	
3-SFT1830-4	3-SFT1830-6	30x18	30	18	31 1/2	19 1/2	
3-SFT1836-4	3-SFT1836-6	36x18	36	18	37 1/2	19 1/2	
3-SFT1842-4	3-SFT1842-6	42x18	42	18	43 1/2	19 1/2	
3-SFT1848-4	3-SFT1848-6	48x18	48	18	49 1/2	19 1/2	
3-SFT1860-4	3-SFT1860-6	60x18	60	18	61 1/2	19 1/2	
3-SFT1872-4	3-SFT1872-6	72x18	72	18	73 1/2	19 1/2	
3-SFT1884-4	3-SFT1884-6	84x18	84	18	85 1/2	19 1/2	
3-SFT1896-4	3-SFT1896-6	96x18	96	18	97 1/2	19 1/2	
3-SFT18108-4	3-SFT18108-6	108x18	108	18	109 1/2	19 1/2	
3-SFT18120-4	3-SFT18120-6	120x18	120	18	121 1/2	19 1/2	
3-SFT2424-4	3-SFT2424-6	24x24	24	24	25 1/2	25 1/2	
3-SFT2430-4	3-SFT2430-6	30x24	30	24	31 1/2	25 1/2	
3-SFT2436-4	3-SFT2436-6	36x24	36	24	37 1/2	25 1/2	
3-SFT2442-4	3-SFT2442-6	42x24	42	24	43 1/2	25 1/2	
3-SFT2448-4	3-SFT2448-6	48x24	48	24	49 1/2	25 1/2	
3-SFT2460-4	3-SFT2460-6	60x24	60	24	61 1/2	25 1/2	
3-SFT2472-4	3-SFT2472-6	72x24	72	24	73 1/2	25 1/2	
3-SFT2484-4	3-SFT2484-6	84x24	84	24	85 1/2	25 1/2	
3-SFT2496-4	3-SFT2496-6	96x24	96	24	97 1/2	25 1/2	
3-SFT24108-4	3-SFT24108-6	108x24	108	24	109 1/2	25 1/2	
3-SFT24120-4	3-SFT24120-6	120x24	120	24	121 1/2	25 1/2	

Email: salesandinfo@chainfabricator.com

Phone: (916) 638-7370 or 1-888-300-6196 Fax: (916) 638-1172



Floor Troughs - Stainless Steel 6-1/2" Drain to 3" Pipe



MATERIAL

Trough: 14g Stainless Steel, Type 304, #4 Finish

Cover: 3/8" S/S Tie Rods & 3/16" x 1" Flat Bar

Dain: 6-1/2" Stainless Steel Box Pattern Drain

Tailpiece: 3" Stainless Steel Schedule 10 Pipe
(Length 3" Typical)

CONSTRUCTION

Built in compliance with NSF Standard No.2

No Hub Connection

All welded construction

Trough pitched toward drain

OPTIONS

- 3" Stainless Steel Drain
- ADA Non Slip Serrated Grate
- Splash Guard
- Prison Package Grate Holding Frame
- Scrap Collection Tray

*For Sizes and Dimensions
See Next Page*

CUSTOM SIZES AVAILABLE
Consult Factory

See next page for complete model numbers

Email: salesandinfo@chainfabricator.com

Phone: (916) 638-7370 or 1-888-300-6196 Fax: (916) 638-1172

2650 Mercantile Dr., Suite C - Rancho Cordova, CA 95742

SFT-3

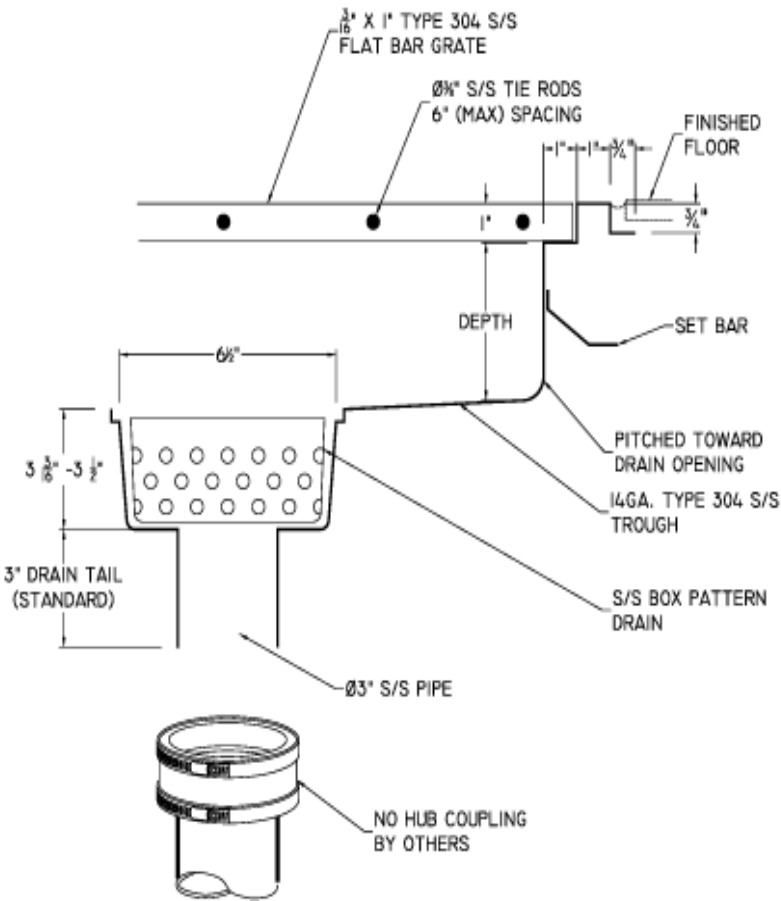
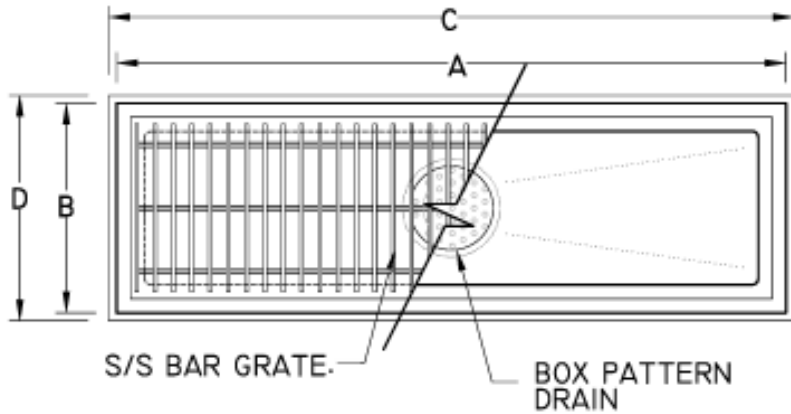


Floor Troughs - Stainless Steel 6-1/2" Drain to 3" Pipe



CUSTOM SIZES AVAILABLE

6-1/2" DRAIN



Std 4" Deep		Deep 6"		Overall		
Model Number	Model Number	Trough Dim.	A	B	C	D
6-SFT1224-4	6-SFT1224-6	24x12	24	12	25 1/2	13 1/2
6-SFT1230-4	6-SFT1230-6	30x12	30	12	31 1/2	13 1/2
6-SFT1236-4	6-SFT1236-6	36x12	36	12	37 1/2	13 1/2
6-SFT1242-4	6-SFT1242-6	42x12	42	12	43 1/2	13 1/2
6-SFT1248-4	6-SFT1248-6	48x12	48	12	49 1/2	13 1/2
6-SFT1260-4	6-SFT1260-6	60x12	60	12	61 1/2	13 1/2
6-SFT1272-4	6-SFT1272-6	72x12	72	12	73 1/2	13 1/2
6-SFT1284-4	6-SFT1284-6	84x12	84	12	85 1/2	13 1/2
6-SFT1296-4	6-SFT1296-6	96x12	96	12	97 1/2	13 1/2
6-SFT12108-4	6-SFT12108-6	108x12	108	12	109 1/2	13 1/2
6-SFT12120-4	6-SFT12120-6	120x12	120	12	121 1/2	13 1/2
6-SFT1824-4	6-SFT1824-6	24x18	24	18	25 1/2	19 1/2
6-SFT1830-4	6-SFT1830-6	30x18	30	18	31 1/2	19 1/2
6-SFT1836-4	6-SFT1836-6	36x18	36	18	37 1/2	19 1/2
6-SFT1842-4	6-SFT1842-6	42x18	42	18	43 1/2	19 1/2
6-SFT1848-4	6-SFT1848-6	48x18	48	18	49 1/2	19 1/2
6-SFT1860-4	6-SFT1860-6	60x18	60	18	61 1/2	19 1/2
6-SFT1872-4	6-SFT1872-6	72x18	72	18	73 1/2	19 1/2
6-SFT1884-4	6-SFT1884-6	84x18	84	18	85 1/2	19 1/2
6-SFT1896-4	6-SFT1896-6	96x18	96	18	97 1/2	19 1/2
6-SFT18108-4	6-SFT18108-6	108x18	108	18	109 1/2	19 1/2
6-SFT18120-4	6-SFT18120-6	120x18	120	18	121 1/2	19 1/2
6-SFT2424-4	6-SFT2424-6	24x24	24	24	25 1/2	25 1/2
6-SFT2430-4	6-SFT2430-6	30x24	30	24	31 1/2	25 1/2
6-SFT2436-4	6-SFT2436-6	36x24	36	24	37 1/2	25 1/2
6-SFT2442-4	6-SFT2442-6	42x24	42	24	43 1/2	25 1/2
6-SFT2448-4	6-SFT2448-6	48x24	48	24	49 1/2	25 1/2
6-SFT2460-4	6-SFT2460-6	60x24	60	24	61 1/2	25 1/2
6-SFT2472-4	6-SFT2472-6	72x24	72	24	73 1/2	25 1/2
6-SFT2484-4	6-SFT2484-6	84x24	84	24	85 1/2	25 1/2
6-SFT2496-4	6-SFT2496-6	96x24	96	24	97 1/2	25 1/2
6-SFT24108-4	6-SFT24108-6	108x24	108	24	109 1/2	25 1/2
6-SFT24120-4	6-SFT24120-6	120x24	120	24	121 1/2	25 1/2

Email: salesandinfo@chainfabricator.com

Phone: (916) 638-7370 or 1-888-300-6196 Fax: (916) 638-1172