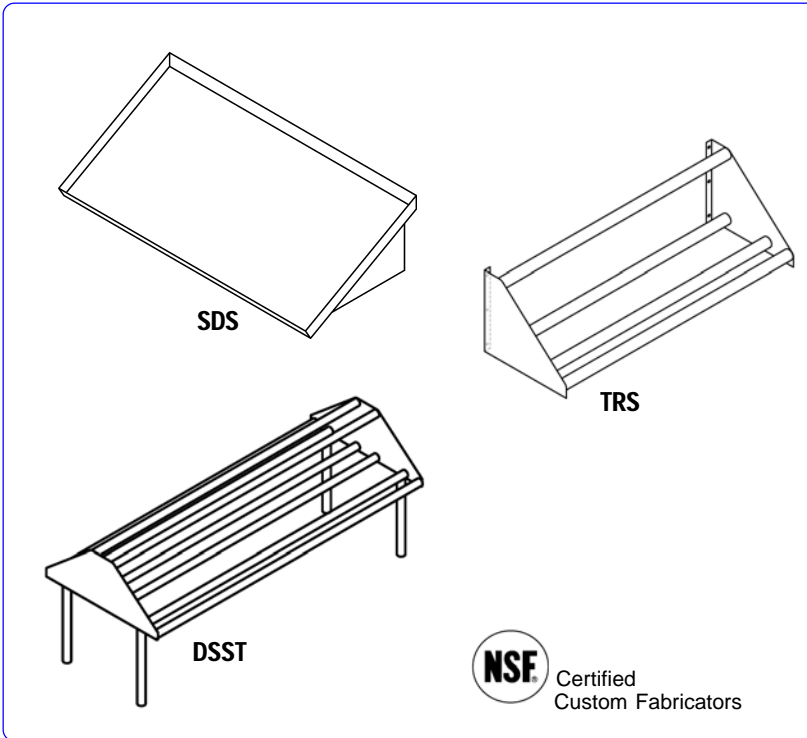




Dish Rack Shelves



Slanted Rack Shelves

MATERIAL

16g, Type 304 Stainless Steel, #4 Finish

CONSTRUCTION

Built in compliance with NSF Standard No.2 and bear the NSF mark of approval.

Drip hole on left or right.

Table Mounted Double Sided Sorting Shelf

MATERIAL

Side Panels: 16g, Type 304 Stainless Steel, #4 Finish

Tubular Shelf: 1-5/8" SS Tube, .065 Thickness, 304/4

Supports: 1-5/8" SS Tube, .065 Thickness, 304/4

CONSTRUCTION

Built in compliance with NSF Standard No.2 and bear the NSF mark of approval.

Fully Welded Design

Wall Mounted Tubular Single Sided Rack Shelf

MATERIAL

Side Panels: 16g, Type 304 Stainless Steel, #4 Finish

Tubular Shelf: 1-5/8" SS Tube, .065 Thickness, 304/4

Supports: 1-5/8" SS Tube, .065 Thickness, 304/4

CONSTRUCTION

Built in compliance with NSF Standard No.2 and bear the NSF mark of approval.

Fully Welded Design

CUSTOM SIZES AVAILABLE

O.A. Width	O.A. Length	MODEL NUMBER	Ship Wt	Cube Ft.	O.A. Width	O.A. Length	MODEL NUMBER	Ship Wt	Cube Ft.	O.A. Width	O.A. Length	MODEL NUMBER	Ship Wt	Cube Ft.
21	21	SDS-1			30	21	DSST-1			21	21	TRS-1		
21	42	SDS-2			30	42	DSST-2			21	42	TRS-2		
21	63	SDS-3			30	63	DSST-3			21	63	TRS-3		
21	82	SDS-4			30	82	DSST-4			21	82	TRS-4		

Email: salesandinfo@chainfabricator.com

Phone: (916) 638-7370 or 1-888-300-6196 Fax: (916) 638-1172

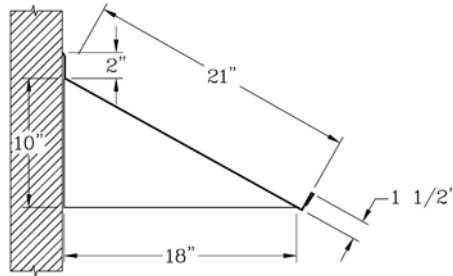
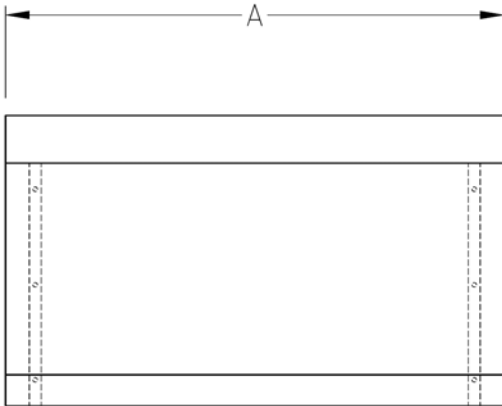
2650 Mercantile Dr., Suite C - Rancho Cordova, CA 95742



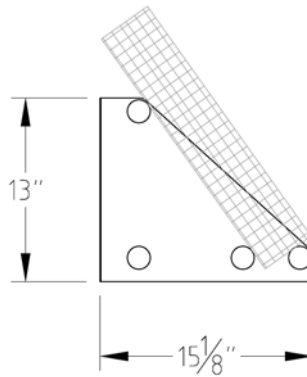
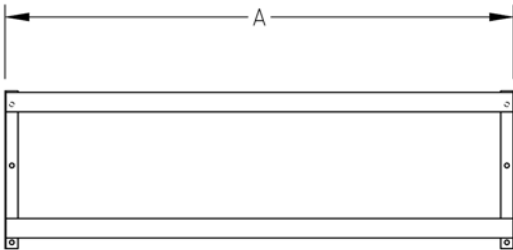
Dish Rack Shelves



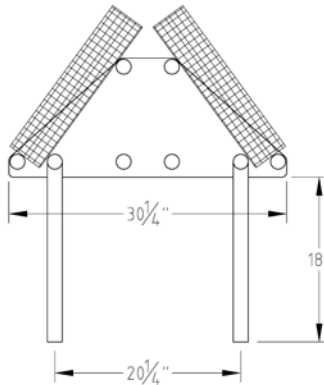
CUSTOM SIZES AVAILABLE



A	MODEL NUMBER
21	SDS-1
42	SDS-2
63	SDS-3
82	SDS-4



A	MODEL NUMBER
21	TRS-1
42	TRS-2
63	TRS-3
82	TRS-4



A	MODEL NUMBER
21	DSST-1
42	DSST-2
63	DSST-3
82	DSST-4

Email: salesandinfo@chainfabricator.com

Phone: (916) 638-7370 or 1-888-300-6196 Fax: (916) 638-1172