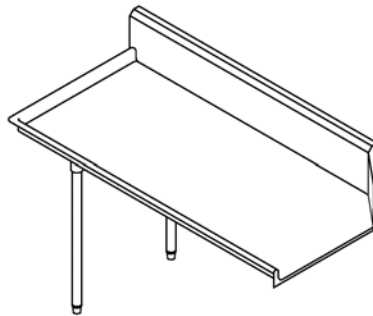


Left to Right Operation

Knock Down Construction Available

Add "KD" to end of Model No.

1-1/4" Cross Bracing for Knock Down Models;
1-5/8" for all other Models



Right to Left Operation



MATERIAL

Top: 14g. or 16g. Stainless Steel, Type 304, #4 Finish

Hat Channel: 16g Galvanized

Crossbracing: 1-5/8" O.D. SS 304/4 Tubular Legs, .065 Wall

Legs: 1-5/8" O.D. SS 304/4 Tubular Legs, .065 Wall

Stainless Steel Gussets & Adjustable Bullet Feet

CONSTRUCTION

Built in compliance with NSF Standard No.2 and bear the NSF mark of approval.

30" Wide top reinforced with welded hat channel.

Sound deadened between top and channel.

8" Backsplash designed to maintain a truly straight backsplash.

1-1/2" Rolled Edges

20-1/2" Standard Opening for Dishwasher.

Dishtables 84" and longer come built with 4 legs.

OPTIONS

- Higher Backsplash
- Tile Edge Backsplash
- Endsplash
- Undershelf
- Bullet Feet w/ Pre Drilled Holes
- Flanged Feet with or without Pre Drilled Holes

CUSTOM SIZES AVAILABLE

		14 Gauge		STANDARD 16 Gauge		
O.A. Dim.	Model Number	Ship Wt.	Model Number	Ship Wt.	Cubic Ft.	
24 x 30	CDT-14-2-*		CDT-2-*			
36 x 30	CDT-14-3-*		CDT-3-*			
48 x 30	CDT-14-4-*		CDT-4-*			
60 x 30	CDT-14-5-*		CDT-5-*			
72 x 30	CDT-14-6-*		CDT-6-*			
84 x 30	CDT-14-7-*		CDT-7-*			
96 x 30	CDT-14-8-*		CDT-8-*			

***Replace "*" with "L" for Left to Right Operation or "R" for Right to Left Operation**

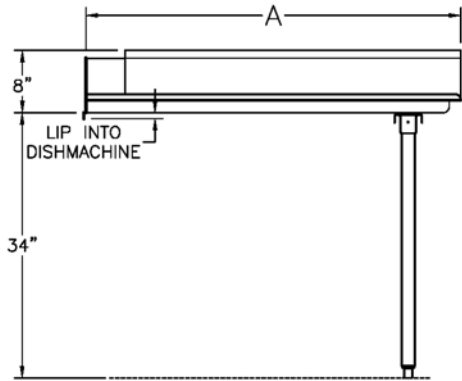
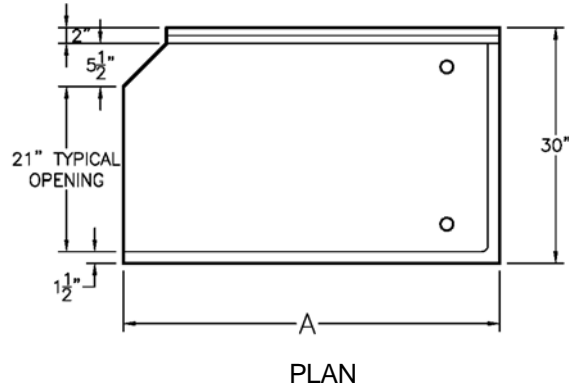
Email: salesandinfo@chainfabricator.com

Phone: (916) 638-7370 or 1-888-300-6196 Fax: (916) 638-1172

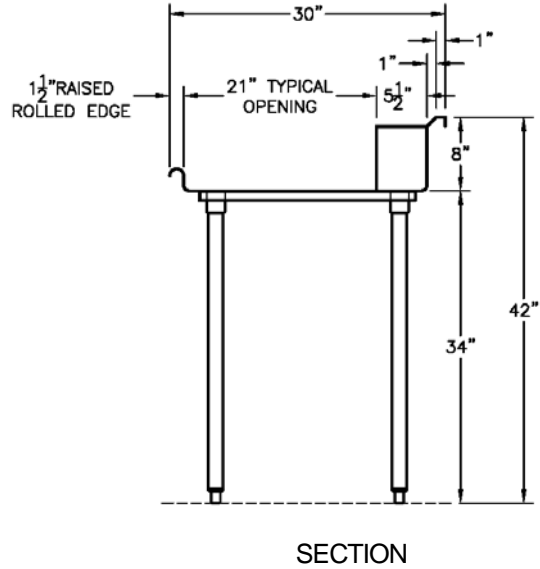
2650 Mercantile Dr., Suite C - Rancho Cordova, CA 95742



Clean Dishtable



CUSTOM SIZES AVAILABLE



Width	14 Gauge		STANDARD 16 Gauge	
	Model Number	A	Model Number	A
30	CDT-14-2-*	24	CDT-2-*	24
30	CDT-14-3-*	36	CDT-3-*	36
30	CDT-14-4-*	48	CDT-4-*	48
30	CDT-14-5-*	60	CDT-5-*	60
30	CDT-14-6-*	72	CDT-6-*	72
30	CDT-14-7-*	84	CDT-7-*	84
30	CDT-14-8-*	96	CDT-8-*	96

Email: salesandinfo@chainfabricator.com

Phone: (916) 638-7370 or 1-888-300-6196 Fax: (916) 638-1172