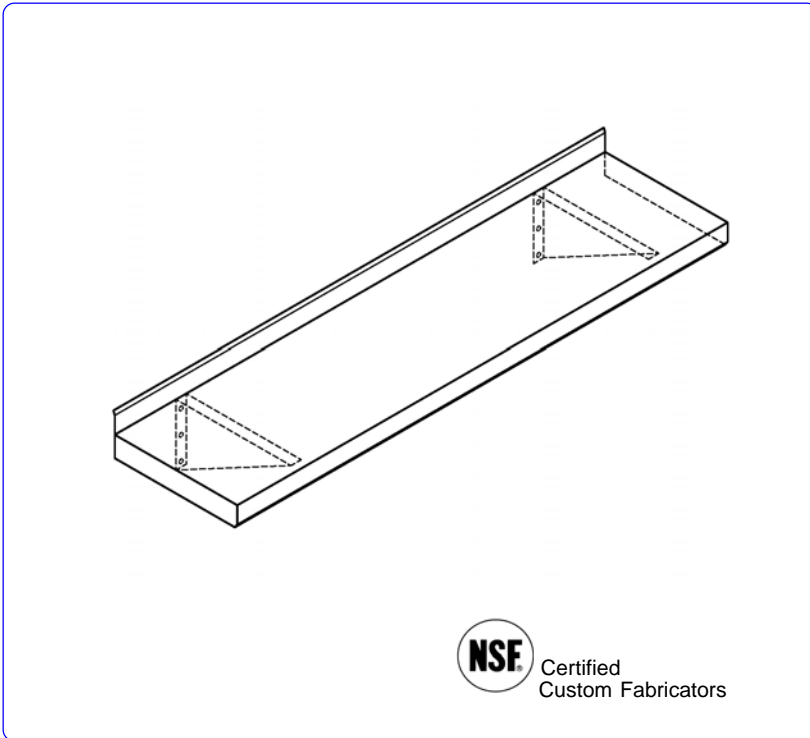




**Wall Mounted Shelf**



**MATERIAL**

16g. Stainless Steel, Type 304, #4 Finish

**CONSTRUCTION**

Built in compliance with NSF Standard No.2 and bear the NSF mark of approval.

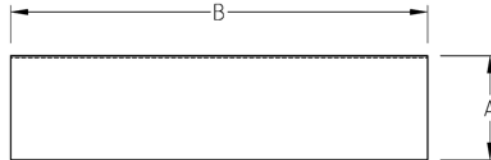
Exposed welds are polished back to their original finish.

Shelves 7 ft. and larger are furnished with 3 brackets.

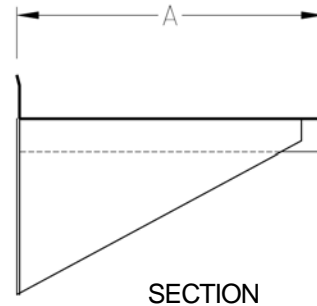
*Hardware not included.*

**OPTIONS**

- Marine Edge
- Hole with grommet



PLAN



SECTION

***CUSTOM SIZES AVAILABLE***

10" WIDE			12" WIDE			14" WIDE			15" WIDE			18" WIDE		
O.A. Width	O.A. Length	MODEL NO.	O.A. Width	O.A. Length	MODEL NO.	O.A. Width	O.A. Length	MODEL NO.	O.A. Width	O.A. Length	MODEL NO.	O.A. Width	O.A. Length	MODEL NO.
A	B		A	B		A	B		A	B		A	B	
10	24	WSD 10-24	12	24	WSD 12-24	14	24	WSD 14-24	15	24	WSD 15-24	18	24	WSD 18-24
10	36	WSD 10-36	12	36	WSD 12-36	14	36	WSD 14-36	15	36	WSD 15-36	18	36	WSD 18-36
10	48	WSD 10-48	12	48	WSD 12-48	14	48	WSD 14-48	15	48	WSD 15-48	18	48	WSD 18-48
10	60	WSD 10-60	12	60	WSD 12-60	14	60	WSD 14-60	15	60	WSD 15-60	18	60	WSD 18-60
10	72	WSD 10-72	12	72	WSD 12-72	14	72	WSD 14-72	15	72	WSD 15-72	18	72	WSD 18-72
10	84	WSD 10-84	12	84	WSD 12-84	14	84	WSD 14-84	15	84	WSD 15-84	18	84	WSD 18-84
10	96	WSD 10-96	12	96	WSD 12-96	14	96	WSD 14-96	15	96	WSD 15-96	18	96	WSD 18-96
10	108	WSD 10-108	12	108	WSD 12-108	14	108	WSD 14-108	15	108	WSD 15-108	18	108	WSD 18-108
10	120	WSD 10-120	12	120	WSD 12-120	14	120	WSD 14-120	15	120	WSD 15-120	18	120	WSD 18-120
10	132	WSD 10-132	12	132	WSD 12-132	14	132	WSD 14-132	15	132	WSD 15-132	18	132	WSD 18-132
10	144	WSD 10-144	12	144	WSD 12-144	14	144	WSD 14-144	15	144	WSD 15-144	18	144	WSD 18-144

Email: [salesandinfo@chainfabricator.com](mailto:salesandinfo@chainfabricator.com)

Phone: (916) 638-7370 or 1-888-300-6196 Fax: (916) 638-1172



**STAINLESS INTERNATIONAL**

*Foodservice Specialists*

*This page intentionally left blank.*

---

Email: [salesandinfo@chainfabricator.com](mailto:salesandinfo@chainfabricator.com)

Phone: (916) 638-7370 or 1-888-300-6196 Fax: (916) 638-1172