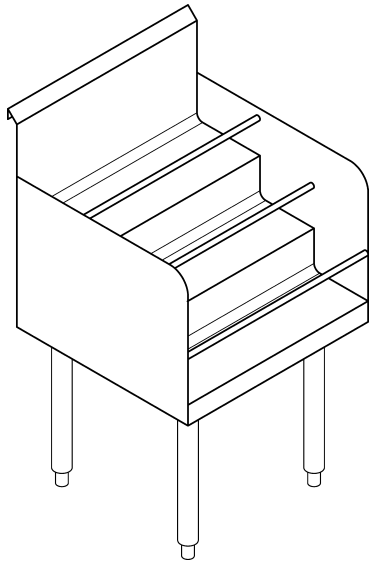




Liquor Display



MATERIAL

Sides: 14g Stainless Steel, Type 304, #4 Finish

Steps: 16g Stainless Steel, Type 304, #4 Finish

Bottle Guards: 3/8" C Channel

Legs: 1-5/8" O.D. SS 304/4 Tubular Legs, .065 Wall

Stainless Steel Gussets & Adjustable Bullet Feet

CONSTRUCTION

Built in compliance with NSF Standard No.2 and bear the NSF mark of approval.

OPTIONS

- Higher Backsplash
- Speed Rail

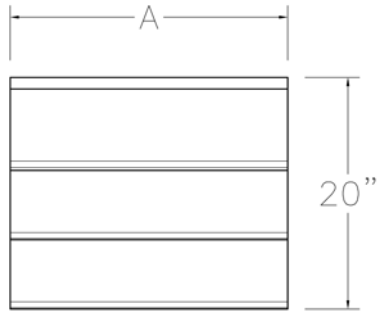
CUSTOM SIZES AVAILABLE

O.A. Dim	MODEL NO.
12	LD 20-12
18	LD 20-18
24	LD 20-24
30	LD 20-30
36	LD 20-36
42	LD 20-42

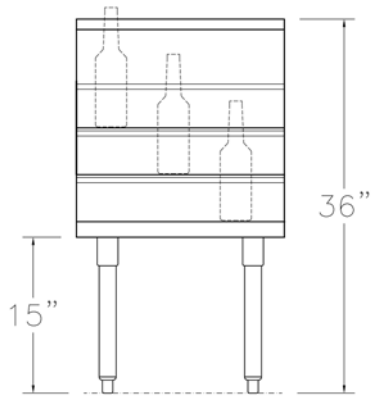
Email: salesandinfo@chainfabricator.com

Phone: (916) 638-7370 or 1-888-300-6196 Fax: (916) 638-1172

2650 Mercantile Dr., Suite C - Rancho Cordova, CA 95742

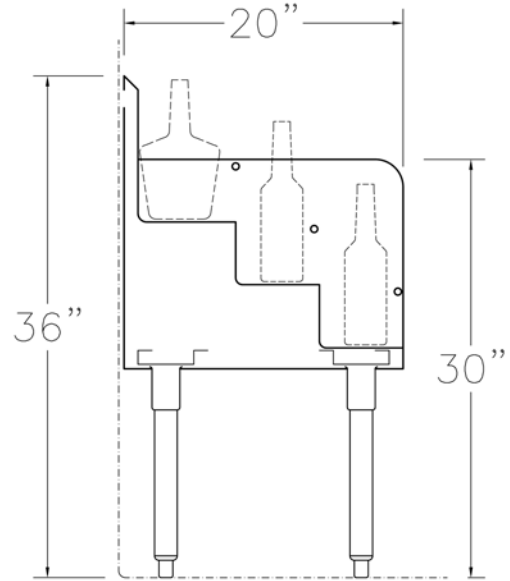


PLAN



ELEVATION

CUSTOM SIZES AVAILABLE



SECTION



O.A. Width	O.A. Length	MODEL NO.	Ship Weight
A	B		
20	12	LD 20-12	
20	18	LD 20-18	
20	24	LD 20-24	
20	30	LD 20-30	
20	36	LD 20-36	
20	42	LD 20-42	

Email: salesandinfo@chainfabricator.com

Phone: (916) 638-7370 or 1-888-300-6196 Fax: (916) 638-1172