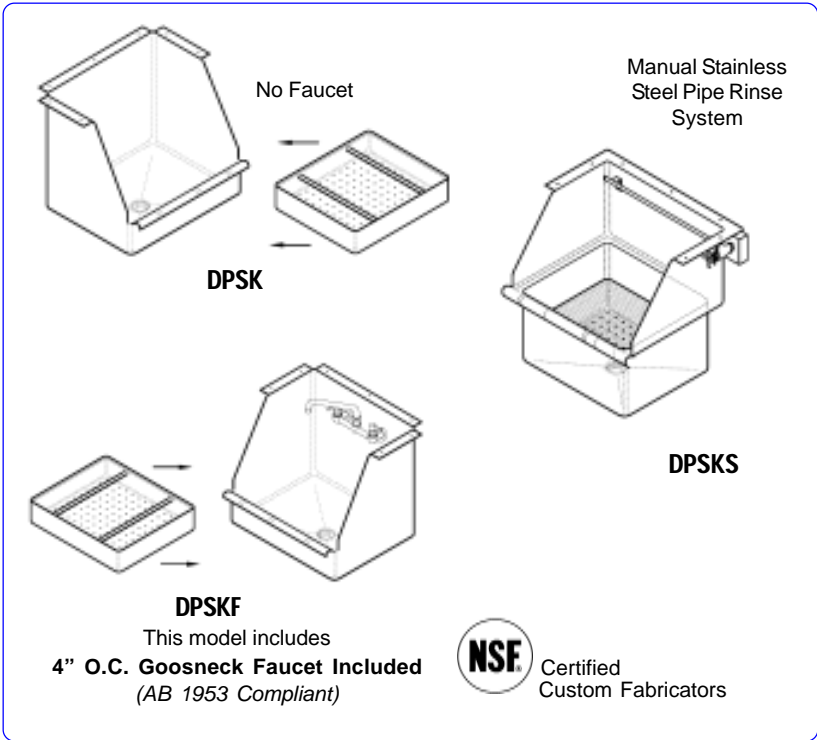




**Dump Sinks**



**MATERIAL**

14g. Stainless Steel, Type 304, #4 Finish  
 3-1/2" SS Basket Drain & Strainer Included  
 Scrap Basket is Perforated 16g. SS, Type 304/4 and 3/8" type 304 Stainless Steel Rod

**CONSTRUCTION**

Built in compliance with NSF Standard No.2 and bear the NSF mark of approval.

Sinks are formed fabrication (NOT DEEP DRAWN) maintaining 16g thickness throughout the bowl. We use stamping dies that draw bottom of bowls down eliminating build up of water around drain.

18" Side and Back Splash design deters spillage.

4" Deep Standard Sink Bowl

Scrap Basket is designed for easy removal.

***CUSTOM SIZES AVAILABLE***

Model Number	Ship Wt.	Cubic Ft.
DPSK 18		
DPSK 24		
DPSK 30		

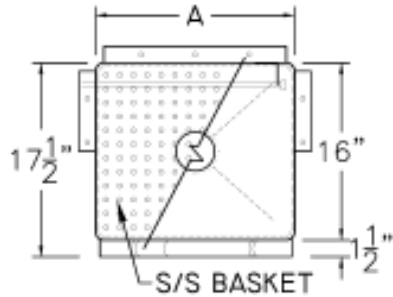
Model Number	Ship Wt.	Cubic Ft.
DPSKF 18		
DPSKF 24		
DPSKF 30		

Model Number	Ship Wt.	Cubic Ft.
DPSKS 18		
DPSKS 24		
DPSKS 30		

Email: [salesandinfo@chainfabricator.com](mailto:salesandinfo@chainfabricator.com)

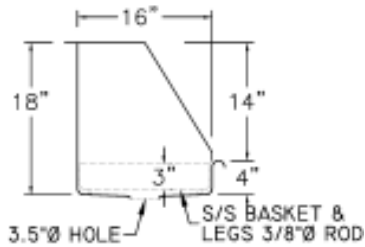
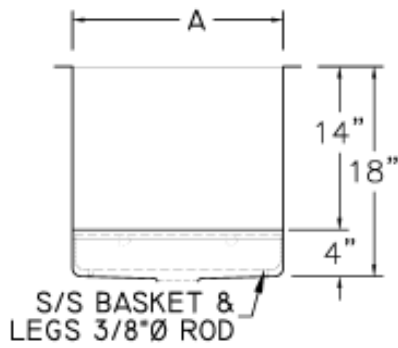
Phone: (916) 638-7370 or 1-888-300-6196 Fax: (916) 638-1172

2650 Mercantile Dr., Suite C - Rancho Cordova, CA 95742

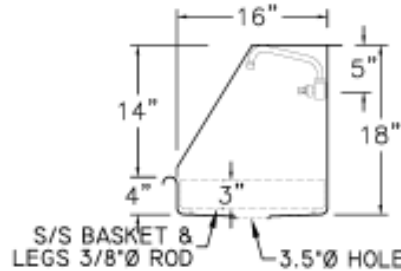
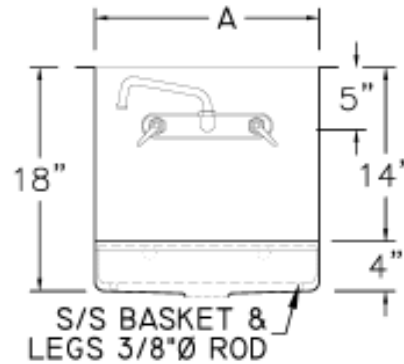


**CUSTOM SIZES AVAILABLE**

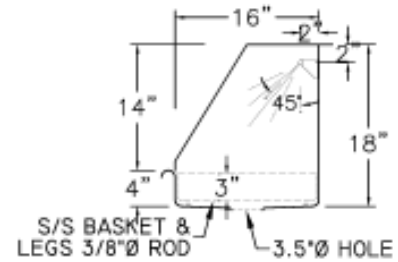
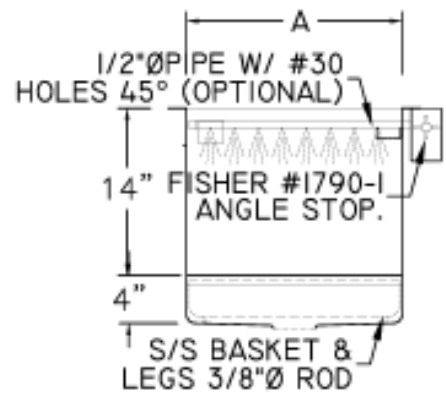
**DPSK**  
No Faucet



**DPSKF**  
With Faucet



**DPSKS**  
With Spray



Certified  
Custom Fabricators

Model Number	Model Number	Model Number	A
DPSK 18	DPSKF 18	DPSKS 18	18
DPSK 24	DPSKF 24	DPSKS 24	24
DPSK 30	DPSKF 30	DPSKS 30	30

Email: [salesandinfo@chainfabricator.com](mailto:salesandinfo@chainfabricator.com)

Phone: (916) 638-7370 or 1-888-300-6196 Fax: (916) 638-1172